

SPECIFICATION

FOR APPROVAL

Customer : _____

Product Name : Piezo Buzzer

Model Name : VSR2020F60L100

Drawing No. : VS20220614018

Signature of Voise

Approved by	Checkde by	Issued by	Date

 福爱斯电子有限公司
VOISE ELECTRONICS CO.,LTD.

Address:No 96 Mogao Dongqian Lake Industrial Area ningbo,China,
Tel:0086-0574-87773030;Fax:0086-0574-87471600 P.C.315121
<http://www.nbvoise.com> Email:sales@nbvoise.com

Specification for Piezo Buzzer		Page	2/5
		Revision No.	1.0
Model No.:	VSR2020F60L100	Drawing No.	VS20220614018

Table of contents

1. Revision
2. Scope
3. General Characteristics
4. Electrical and Acoustic Characteristics.
5. Dimensions
6. Packing

1. Revision

Rev.No.	Date	Page	Description of Revision
1.0	2021/10/20		Preliminary

Specification for Piezo Buzzer		Page	3/5	
		Revision No.	1.0	
Model No.:	VSR2020F60L100		Drawing No.	VS20220614018

2. Scope

This product specification is applied to the Buzzer in alarm systems. Please contact us when using this product for any other applications than described in the above.

3. General Characteristics

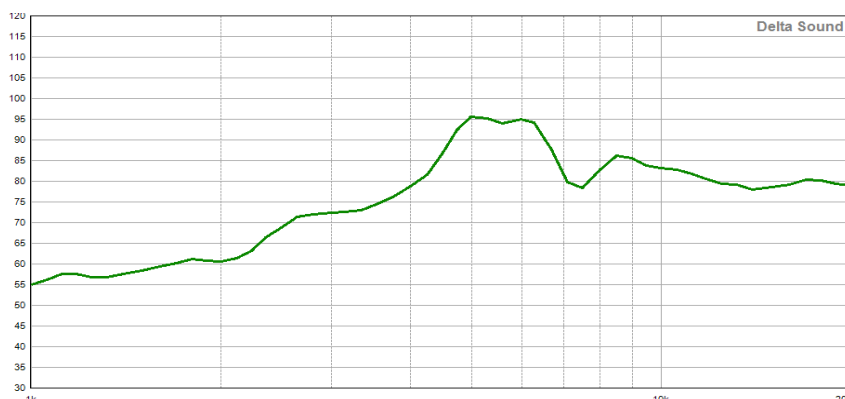
- 3.1 Out-Diameter : 20 mm
- 3.2 Height : 2 mm
- 3.3 Weight : 1 g
- 3.4 Operating Temperature : -20~+70°C without loss of function
- 3.5 Store Temperature : -30~+80°C without loss of function

4. Electrical and Acoustic Characteristics.

Test condition :15 ~ 35 °C Temp., 25% ~ 75% RH,86~106 kPa Refer to IEC60268-1

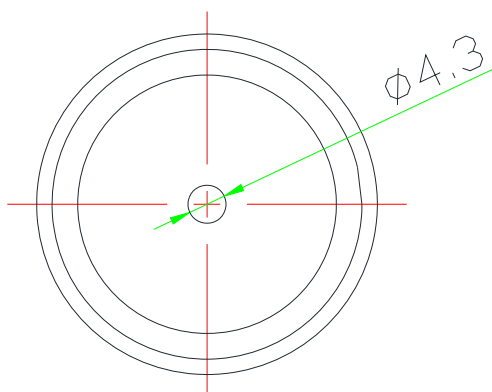
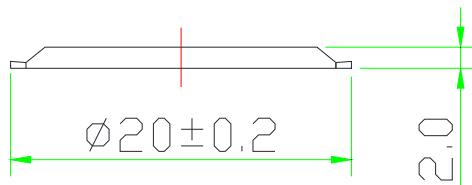
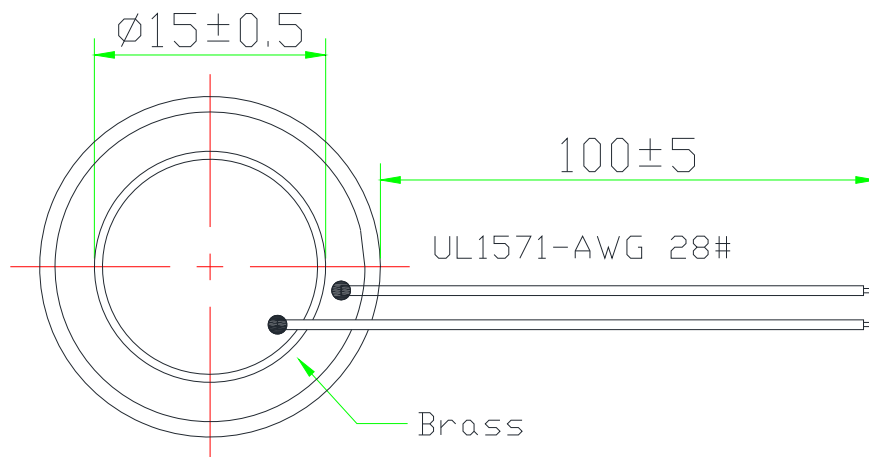
No	Items	Specification
1	Rated Voltage	30Vp-p square wave
2	Max Working Voltage	30Vp-p square wave
3	Max Resonant Impedance	500 Ω
4	Capacitance at 120Hz	22000±30%PF
5	Dimension	20mm
6	Resonant Frequency	6.0±0.5KHz
7	Substrate Material	Brass
8	Housing Material	AL

Frequency Response curve at 30V 10cm

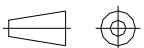


Specification for Piezo Buzzer		Page	4/5
		Revision No.	1.0
Model No.:	VSR2020F60L100	Drawing No.	VS20220614018

5. Dimensions



FIRST ANGLE PROJECTION



UNIT : mm

Tolerance : ± 0.2

Specification for Piezo Buzzer		Page	5/5
		Revision No.	1.0
Model No.:	VSR2020F60L100	Drawing No.	VS20220614018

6. Packing

Each minimum package unit of products shall be in a carton box and it shall be clearly marked with Part Number ,quantity and outgoing inspection number.

There shall be no mechanical damage on products during in storage.