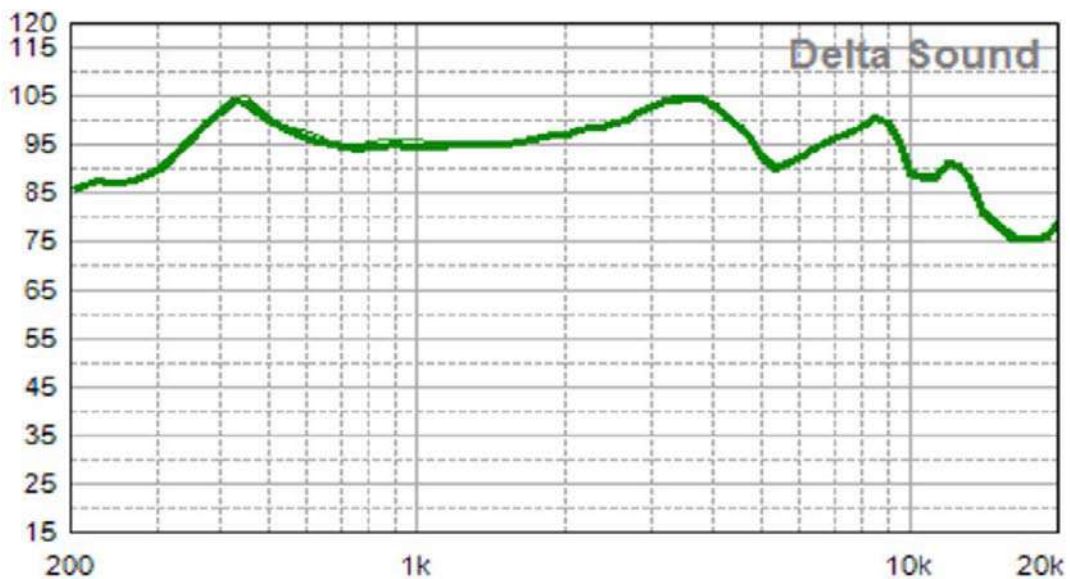


Specification for Speaker

Model No.	VS92x92R4F400P10	Drawing No.	VS20231127006
Customer			

NO.	Items	Specification	Test Condition
1	Impedance	4Ω ±15%	at 1Vrms,0.8kHz
2	Resonant Fr. (fo)	400Hz±20%	
3	Frequency Range	F0-12KHz	
4	Rated Power	10W	
5	Max Power	15W	
6	S.P.L.	94dB±3dB	(0.1W/0.1M at 0.6 0.8,1.0,1.2,kHz Ave)
7	Distortion	<5% Max.	at 2kHz/2Vrms
8	Sweep Test	must be normal	at sine wave 6.3 V
9	Load Test	after test meet item 8	rated white noise power, 96 Hrs.
10	Heat Test	after test meet item 8	+60±2°C 20~50% 96Hrs.
11	Cold Test	after test meet item 8	-20±3°C 96Hrs.
12	Humidity Test	after test meet item 8	+30±2°C,90~95% 96Hrs.
13	Weight	305±5g	
14	Polarity Test	with positive D.C. voltage to (+) terminal, the cone shall move forward.	
15	Magnet size	∅70x∅32x8t	
	Waterproof	IP65	

Frequency Response Curve

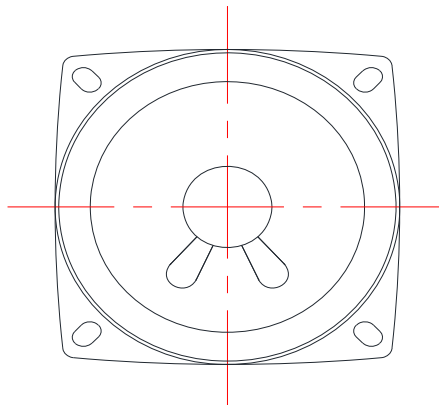
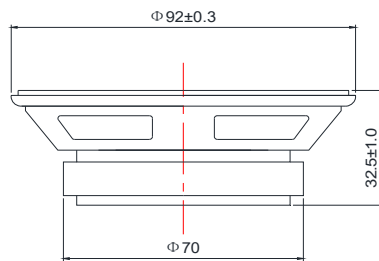
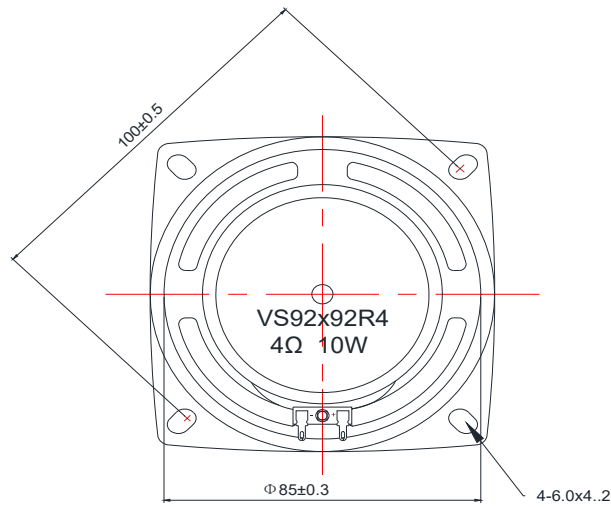


Specification for Speaker

Model No. VS92x92R4F400P10

Drawing No. VS20231127006

Dimensions:



Unit : mm

Tolerance : ± 0.2