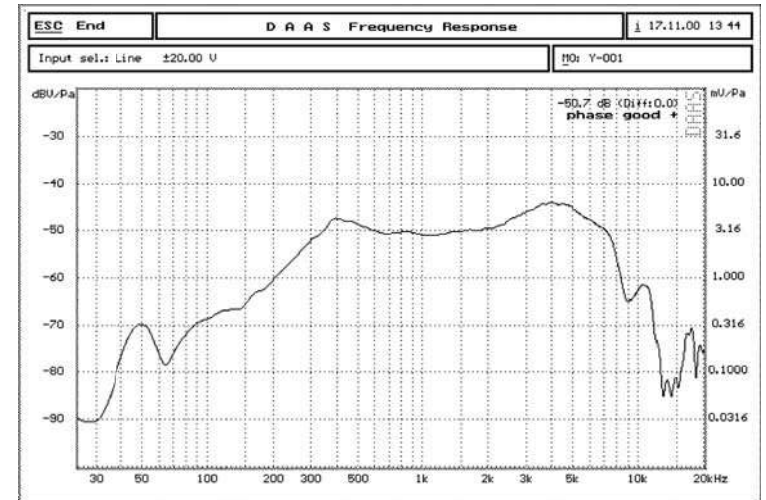
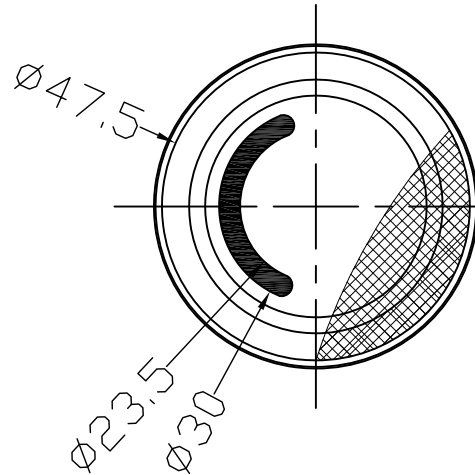
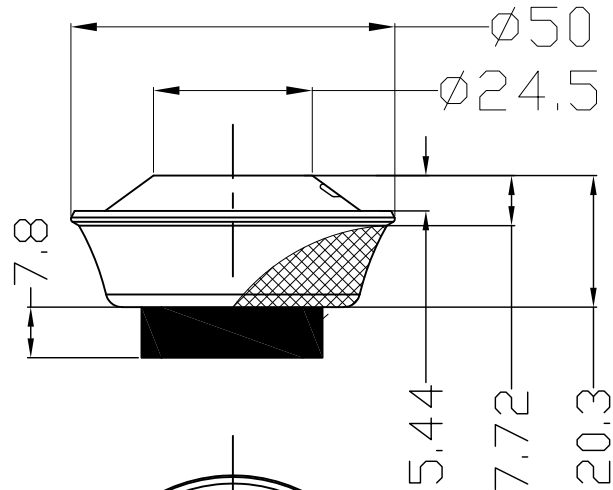
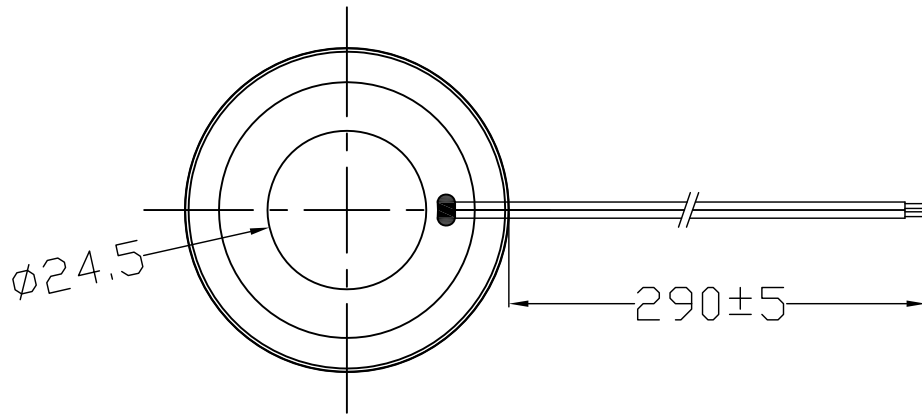


Microphone SPECIFICATION

- 1. Impedance.....500±50Ω (At 1kHz)
- 2. Sensitivity-50±3dB (At 1kHz 1V/Pa)
- 3. Frequency Response.....300Hz-8000Hz (at 100Hz)
- 4. Direction.....Uni-directional
- 5. Construction.....Sponge Ref-Shake Type
- 6. Measure Diameter.....50×20.3 mm
- 7. Wire.....AWG 22# 305mm Blk/Blue
- 8. Weight..... 49±3g



				NINGBO VOISE ELECTRONICS CO.,LTD http://www.nbvoise.com	
				Dynamic Microphone VS5020S50D	
No.	DESCRIPTION	APPROVED	DATE		
TOLERANCES UNLESS NOTED OTHERWISE		APPROVALS	DATE	UNIT	DWG NO.
X ±				mm	VS20210531012
XX ±					
XXX ±					
90° FORMED +2° ANGLES -1°		CHECKED		SCALE	SHEET
FIRST ANGLE PROJECTION		APPROVED	21.05.31		VER 1.0