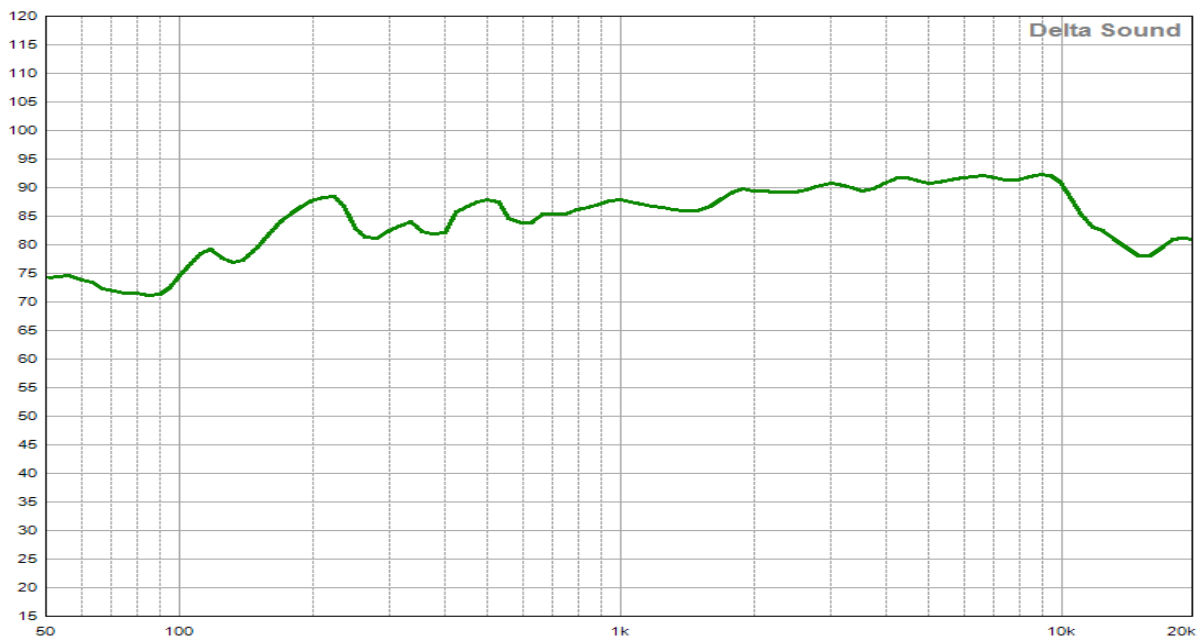


Specification for Speaker

Model No.	VS40x40R4F200P5	Drawing No.	VS20231113012
Customer			

NO.	Items	Specification	Test Condition
1	Impedance	$4\Omega \pm 15\%$	at 1Vrms,0.8kHz
2	Resonant Fr. (fo)	200Hz \pm 20%	
3	Frequency Range	F0-20KHz	
4	Rated Power	5W	
5	Max Power	6W	
6	S.P.L.	86dB \pm 3dB	(0.1W/0.1M at0.8,1.0,1.2,1.5kHz Ave)
7	Distortion	<5% Max.	at 2kHz/2Vrms
8	Sweep Test	must be normal	at sine wave 4 V
9	Load Test	after test meet item 8	rated white noise power, 96 Hrs.
10	Heat Test	after test meet item 8	+60 \pm 2 $^{\circ}$ C 20~50% 96Hrs.
11	Cold Test	after test meet item 8	-30 \pm 3 $^{\circ}$ C 96Hrs.
12	Humidity Test	after test meet item 8	+40 \pm 2 $^{\circ}$ C,90~95% 96Hrs.
13	Weight	30 \pm 1g	
14	Polarity Test	with positive D.C. voltage to (+) terminal, the cone shall move forward.	
15	Note	IP60	

Frequency Response Curve

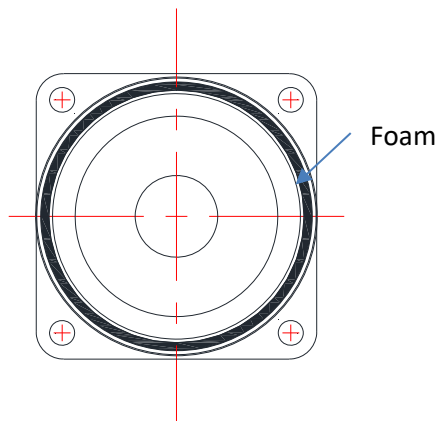
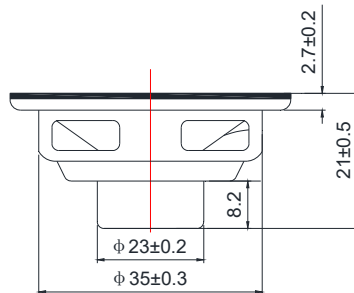
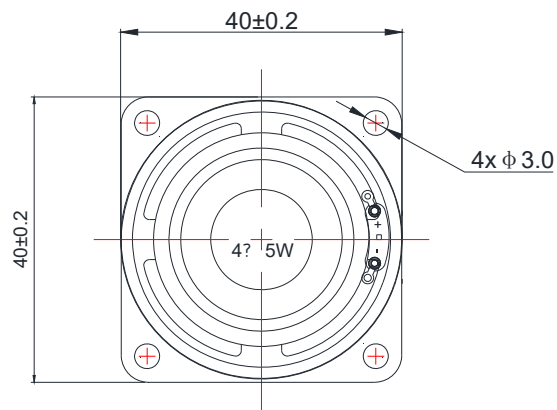


Specification for Speaker

Model No. VS40x40R4F200P5

Drawing No. VS20231113012

Dimensions:



Unit : mm

Tolerance : ±0.2