

SPECIFICATION

FOR APPRONAL

Customer : _____

Product Name : Sensor _____

Model Name : VS-P1640H12T _____

Drawing No. : VS20200809011 _____

Signature of Voise

Approved by	Checkde by	Issued by	Date



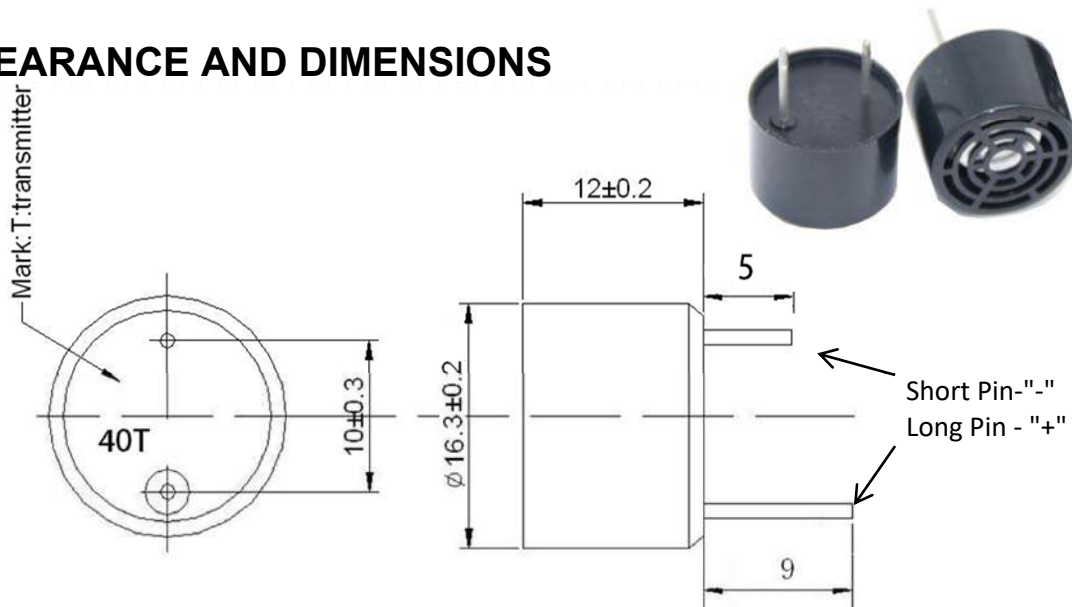
Office Add:Haoyangguang B-302# No.968 Baizhang Road,Ningbo China
Factory add: Shishan Industrial Park Moushan Town Yuyao City China
Tel:86-0574-87471601 Fax:86-0574-87471603 P.C.315000
Http://www.nbvoise.com E-mail:sales@nbvoise.com

Specification for Sensor		Page	2/4
		Revision No.	1.0
Model No.:	VS-P1640H12T	Drawing No.	VS20200809011

ELECTRICAL SPECIFICATION

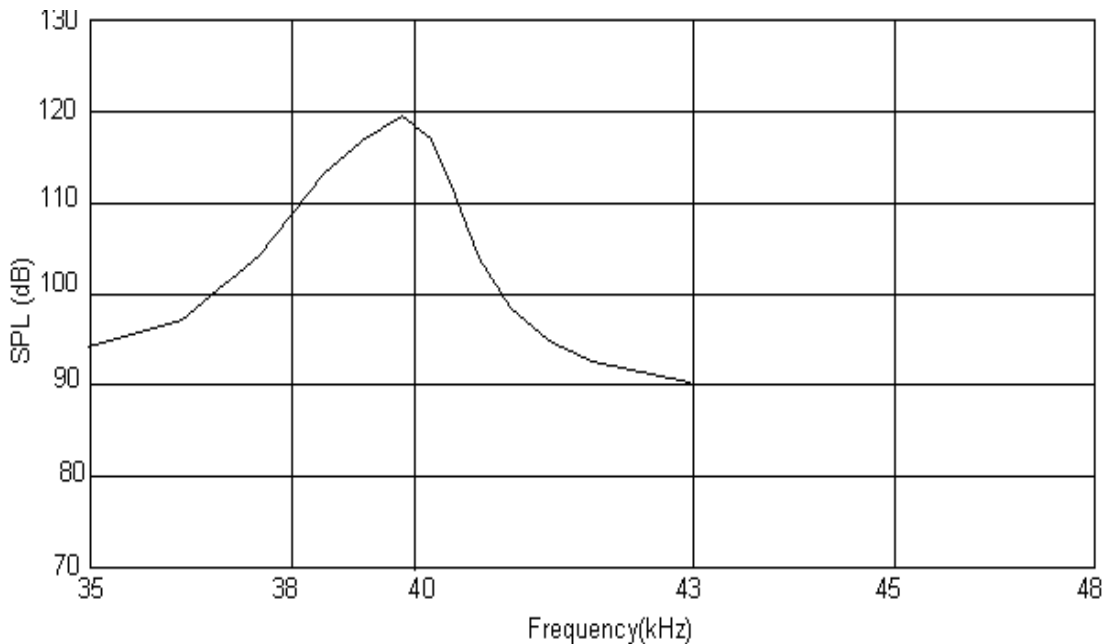
No	Items	Specification
1	Construction	Open
2	Using Method	Transmitter
3	Center frequency(KHz)	40 KHZ
4	Directivity	65°
5	Transmitting Sound Pressure Level	≥115dB (10V/30cm/sine wave)
6	Sensitivity	
7	Capacitance(pF)	2400±15% @1kHz
8	Allowable Maximum Input Voltage(Vp-p)	150 (40KHz)
9	Detectable range	18 m
10	Operating Temperature	-30~ +70(°C)
11	Storage Temperature	-40~ +85(°C)
12	Material	AL

APPEARANCE AND DIMENSIONS

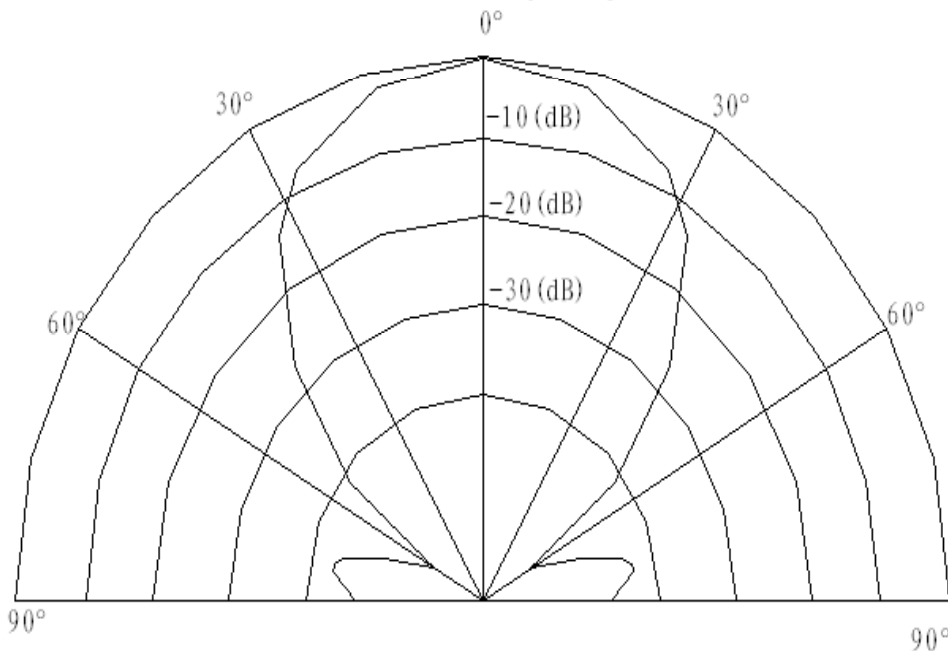


Specification for Sensor		Page	3/4
		Revision No.	1.0
Model No.:	VS-P1640H12T	Drawing No.	VS20200809011

Beam Pattern



SPL-Frequency Characteristics

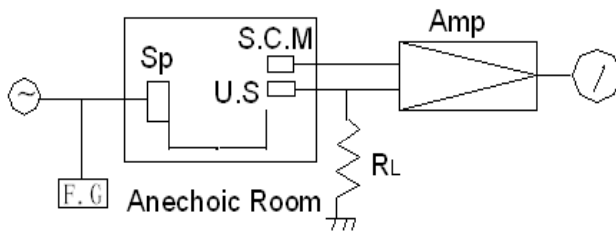


Directivity in Overall Sensitivity

Specification for Sensor		Page	4/4
		Revision No.	1.0
Model No.:	VS-P1640H12T	Drawing No.	VS20200809011

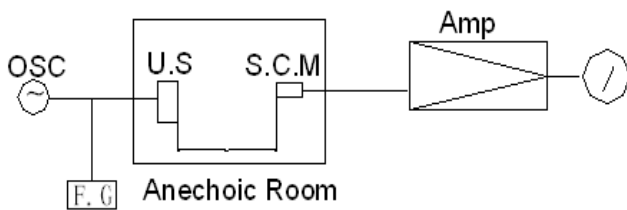
Test Circuit

Receiver



RL: 3.9K Ω
 U.S. :Ultrasonic Sensor
 S.C.M:Standard Cappacitor Microphone
 Amp. :Amplifier
 OSC. :Oscillator
 Sp :Tweeter
 F.C. :Frequency Counter

Transmitter



U.S. :Ultrasonic Sensor
 S.C.M:Standard Cappacitor Microphone
 Amp. :Amplifier
 Input voltage: 10Vrms
 F.C. :Frequency Counter

Revision

Rev.No.	Date	Page	Description of Revision
1.0	2020/8/9		Preliminary