

# SPECIFICATION

## FOR APPROVAL

Customer : \_\_\_\_\_

Product Name : Sensor \_\_\_\_\_

Model Name : VS-P1640H12T-P3 \_\_\_\_\_

Drawing No. : VS20200809011-2 \_\_\_\_\_

### Signature of Voice

Approved by	Checkde by	Issued by	Date



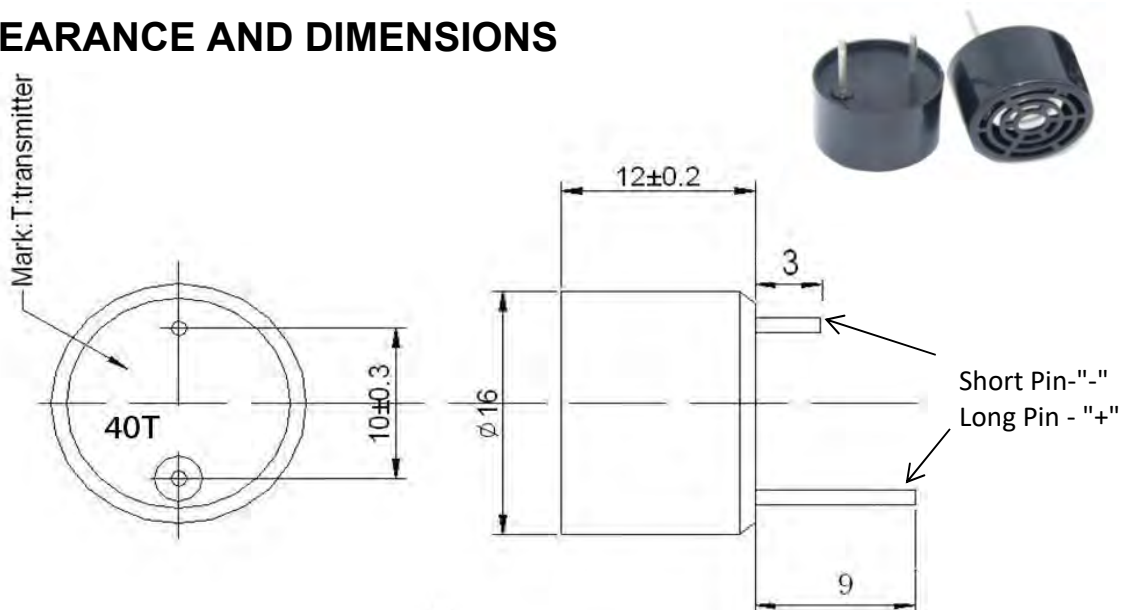
Office Add:Haoyangguang B-302# No.968 Baizhang Road,Ningbo China  
Factory add: Shishan Industrial Park Moushan Town Yuyao City China  
Tel:86-0574-87471601 Fax:86-0574-87471603 P.C.315000  
Http://www.nbvoice.com E-mail:sales@nbvoice.com

<b>Specification for Sensor</b>		Page	2/4
		Revision No.	1.0
Model No.:	VS-P1640H12T-P3	Drawing No.	VS20200809011-2

## ELECTRICAL SPECIFICATION

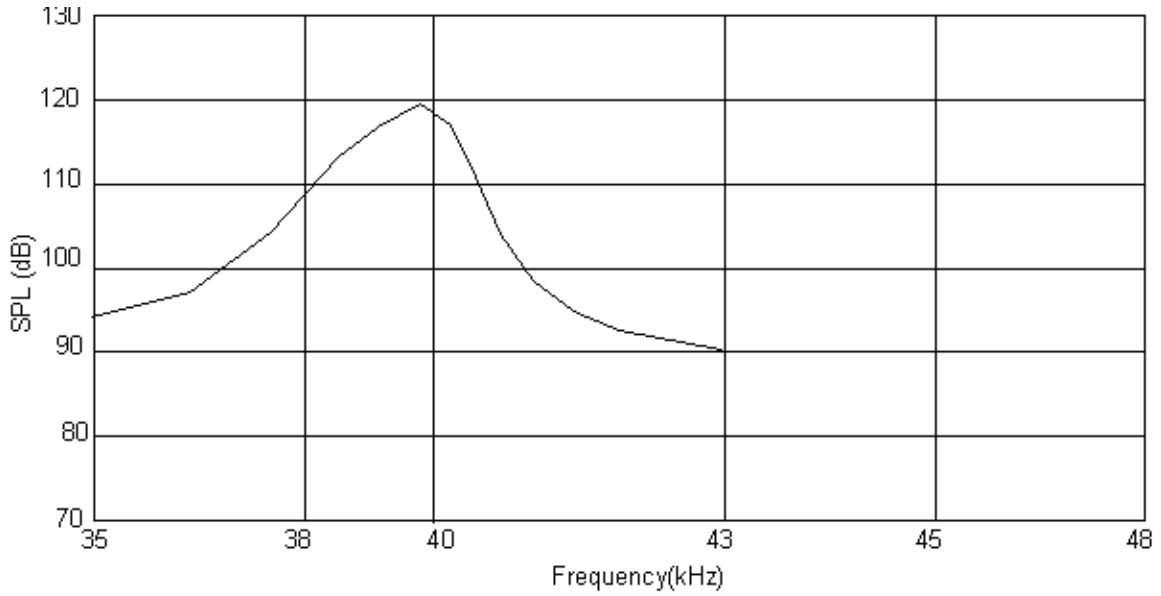
No	Items	Specification
1	Construction	Open
2	Using Method	Transmitter
3	Center frequency(KHz)	40 KHZ
4	Directivity	65°
5	Transmitting Sound Pressure Level	≥ 115dB (10V/30cm/sine wave)
6	Sensitivity	
7	Capacitance(pF)	2400±15% @1kHz
8	Allowable Maximum Input Voltage(Vp-p)	150 (40KHz)
9	Detectable range	18 m
10	Operating Temperature	-30~ +70(°C)
11	Storage Temperature	-40~ +85(°C)
12	Material	AL

## APPEARANCE AND DIMENSIONS

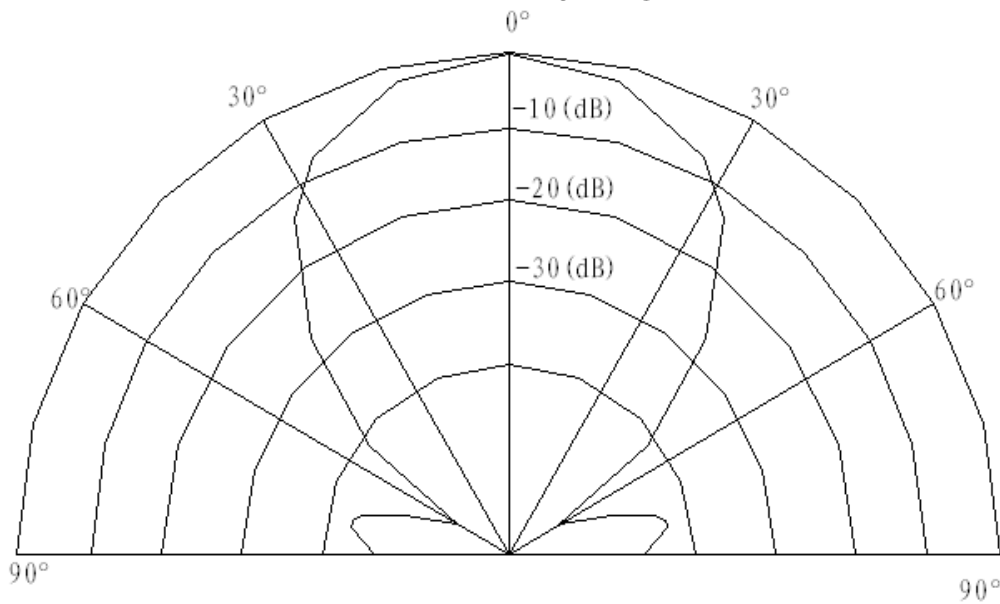


<b>Specification for Sensor</b>		Page	3/4
		Revision No.	1.0
Model No.:	VS-P1640H12T-P3	Drawing No.	VS20200809011-2

**Beam Pattern**



**SPL-Frequency Characteristics**

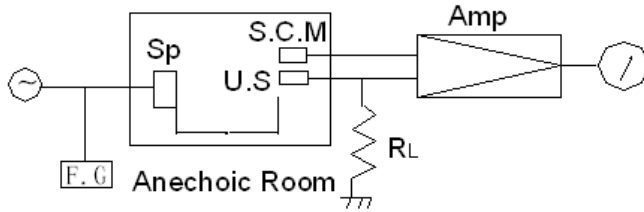


**Directivity in Overall Sensitivity**

Specification for Sensor		Page	4/4
		Revision No.	1.0
Model No.:	VS-P1640H12T-P3	Drawing No.	VS20200809011-2

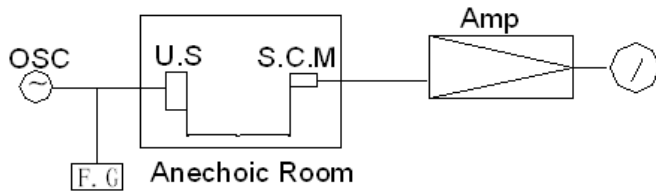
### Test Circuit

#### Receiver



RL: 3.9KΩ  
 U.S :Ultrasonic Sensor  
 S.C.M:Standard Cappacitor Microphone  
 Amp. :Amplifier  
 OSC. :Oscillator  
 Sp :Tweeter  
 F.C :Frequency Counter

#### Transmitter



U.S :Ultrasonic Sensor  
 S.C.M:Standard Cappacitor Microphone  
 Amp. :Amplifier  
 Input voltage: 10Vrms  
 F.C :Frequency Counter

### Revision

Rev.No.	Date	Page	Description of Revision
1.0	2020/8/9		Preliminary