

Specification for Tweeter

Model No. : VCT5120P

Drawing No. VS202002019012

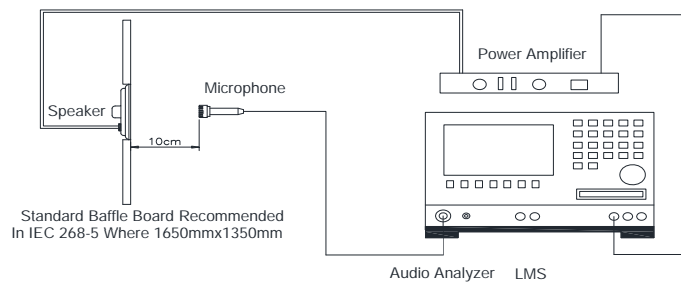
Customer :

SPECIFICATION

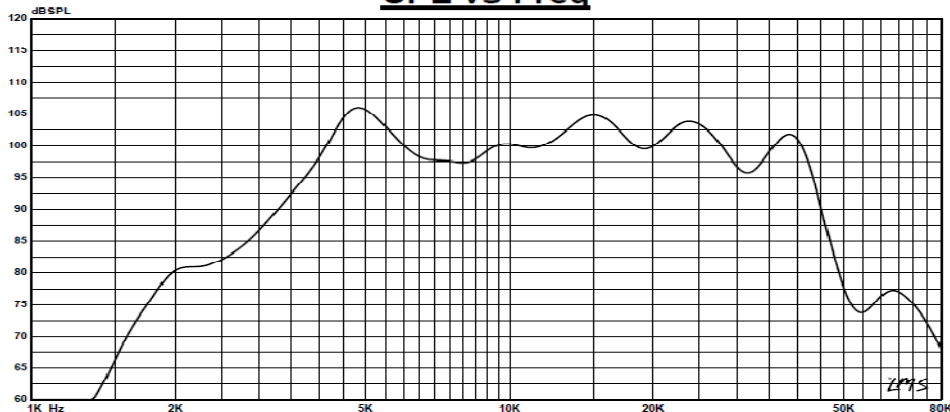
NO.	Items	Specification	Test Condition
1	Out-Diameter	51mm	
2	Height	20mm	
3	Rated Voltage	12Vp-p	
4	Operating Voltage	6-30Vp-p	
5	Max Rated Current	5mA/12Vp-p	
6	Capacitance at 1kHz	130000±30%pF	
7	Min Sound Pressure Level	90dB	at 2.83Vrms/100cm/2.5-8kHz
8	Resonant Frequency	4k±0.5kHz	
9	Rated Frequency Range	2.5-60KHz	
10	Housing Material/Color	ABS/Black	
11	Specification after test	must be normal	Initial Value ±10dB
12	Load Test	after test meet item 11	rated white noise power, 96 Hrs.
13	Heat Test	after test meet item 11	+60±2°C 20~50% 96Hrs.
14	Cold Test	after test meet item 11	-20±3°C 96Hrs.
15	Humidity Test	after test meet item 11	+40±2°C,90~95% 96Hrs.
16	Weight	10±5%g	
17	Note	The Cone material is Paper	

Frequency Response Curve Input Signal:1.5Vrms,1.0-80kHz,sine wave

Standard test condition of speaker



SPL vs Freq

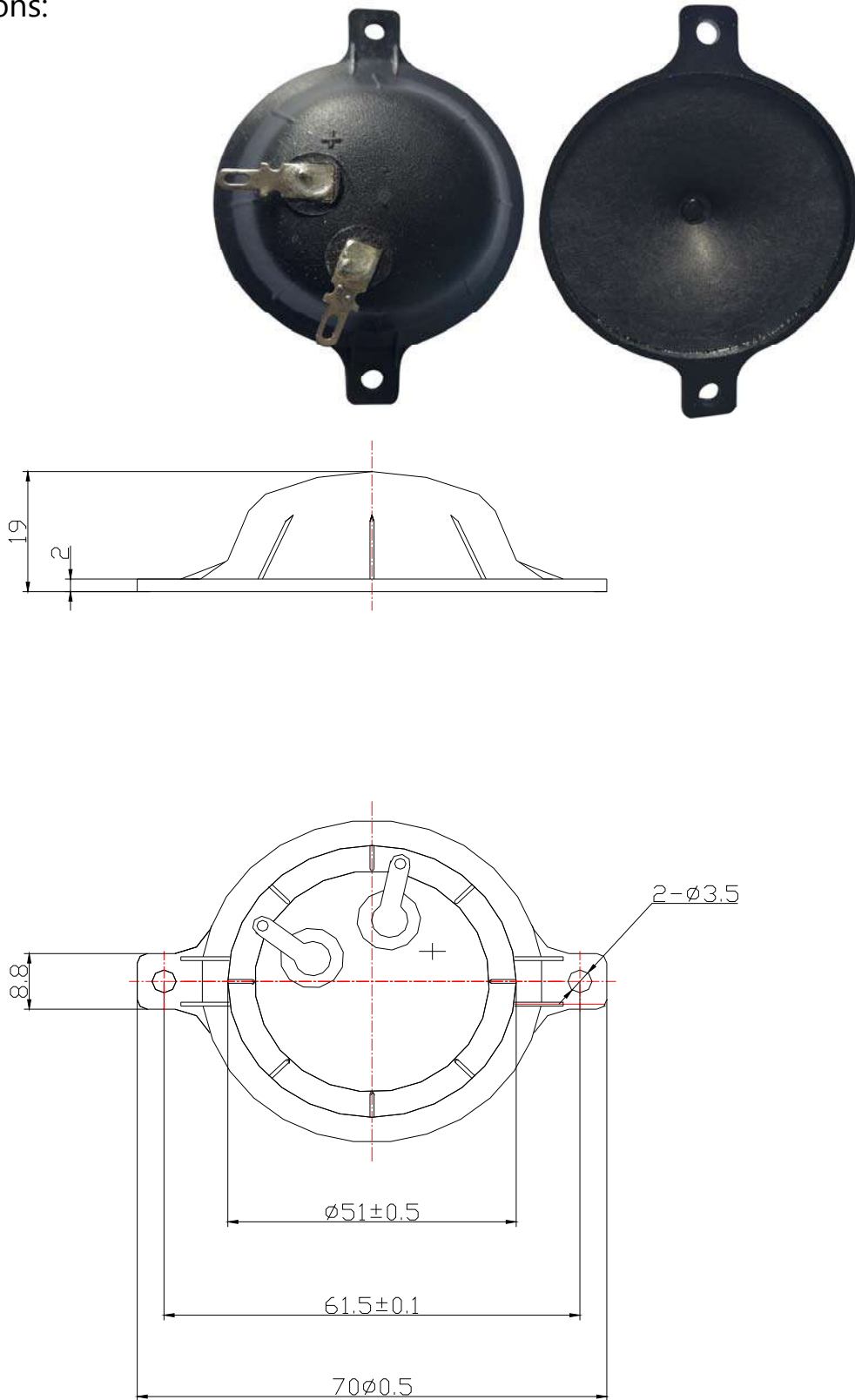


Specification for Tweeter

Model No. VCT5120P

Drawing No. VS202002019012

Dimensions:



Unit : mm
Tolerance : ± 0.2