

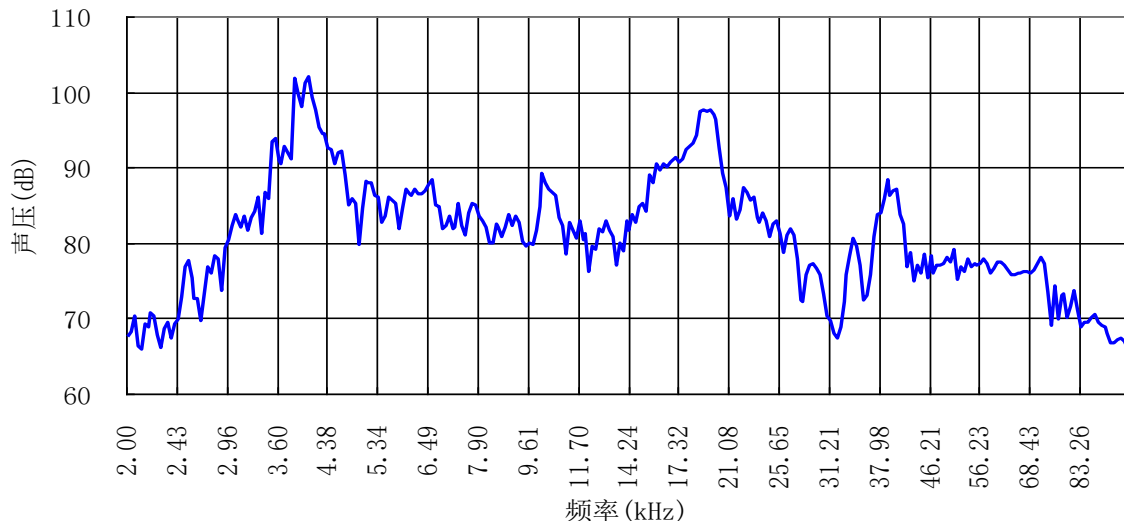
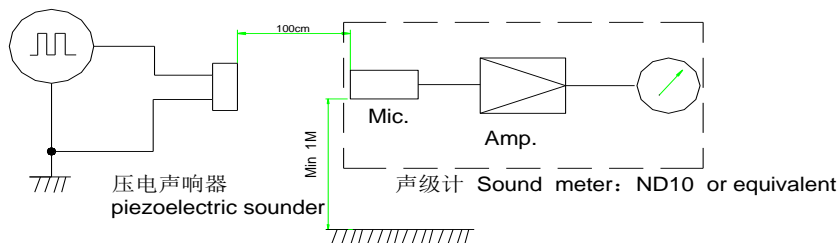
Specification for Tweeter

Model No. :	VCT4523	Drawing No.	VS20200315006
Customer :			

SPECIFICATION

NO.	Items	Specification	Test Condition
1	Out-Diameter	45mm	
2	Height	23mm	
3	Rated Voltage	12Vp-p	Square wave
4	Max Rated input Voltage	30Vp-p	Square wave
5	Capacitance at 1kHz	270000±30%pF	
6	Min Sound Pressure Level	100dB	at 12Vp-p Square wave/30cm/3.3kHz
7	Resonant Frequency	3.3k±0.5kHz	
8	Rated Frequency Range	2.0-4KHz	
9	Housing Material/Color	PA66/Black	
10	Specification after test	must be normal	Initial Value ±10dB
11	Load Test	after test meet item 11	rated white noise power, 96 Hrs.
12	Heat Test	after test meet item 11	+60±2°C 20~50% 96Hrs.
13	Cold Test	after test meet item 11	-30±3°C 96Hrs.
14	Humidity Test	after test meet item 11	+40±2°C, 90~95% 96Hrs.
15	Weight	9±5%g	
16	Waterproof	IP64	

Frequency Response Curve

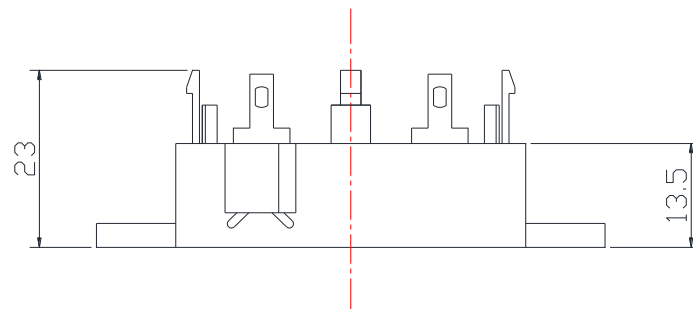
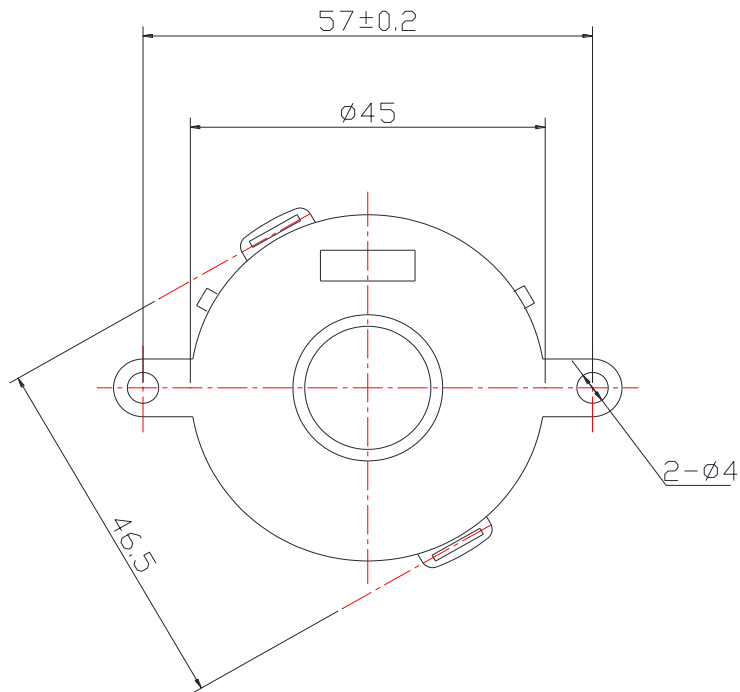


Specification for Tweeter

Model No. VCT4523

Drawing No. VS20200315006

Dimensions:



Unit : mm

Tolerance : ±0.2