
	DATE	15-05-07	SPECIFICATION	NINGBO BEST GROUP CO.,LTD
	PAGE	1/7		www.fbelec.com
	<i>MODEL NAME: SMT8504</i>			

SPECIFICATION FOR APPROVAL SMD ELECTRO-MAGNETIC TRANSDUCER

Model Name	SMT8504
Note	

CUSTOMER	
Customer name / Stamp / Sign / Date	DRAWN:
	CHECKED:
	APPROVED:

	DATE	15-05-07	SPECIFICATION	NINGBO BEST GROUP CO.,LTD
	PAGE	2/7		www.fbelec.com
	<i>MODEL NAME: SMT8504</i>			

SMT8504

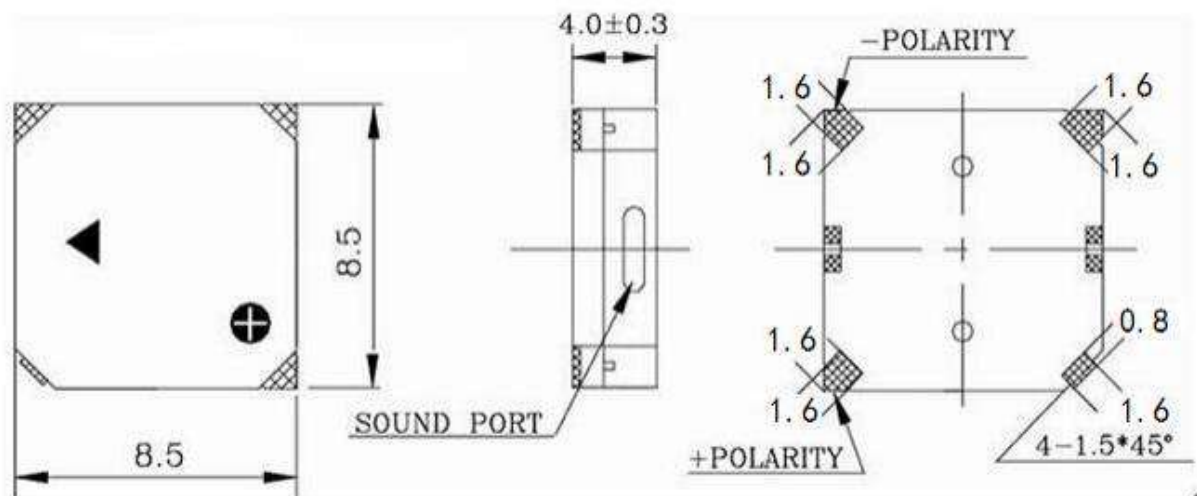
SMD ELECTRO-MAGNETIC TRANSDUCER

1	Model No.	SMT8504
2	Rated Voltage (V)	3.6
3	Operating Voltage (V)	2.5~4.5
4	Coil Resistance (Ω)	16 \pm 3
5	Resonant Frequency (Hz)	2700
6	*Sound Pressure Level (dB/min)	85 at 10cm at Rated Voltage
7	*Current Consumption (mA/max)	100 at Rated Voltage
8	Operating Temperature (°C)	-20~+70
9	Storage Temperature (°C)	-30~+80
10	Weight (g)	0.5
11	Case material and colour	LCP / Black

*Applying rated voltage (Resonant frequency, 1/2 duty, Square wave)

DIENSIONS (UNIT: mm)

Tolerance: ± 0.5 mm Except Specified





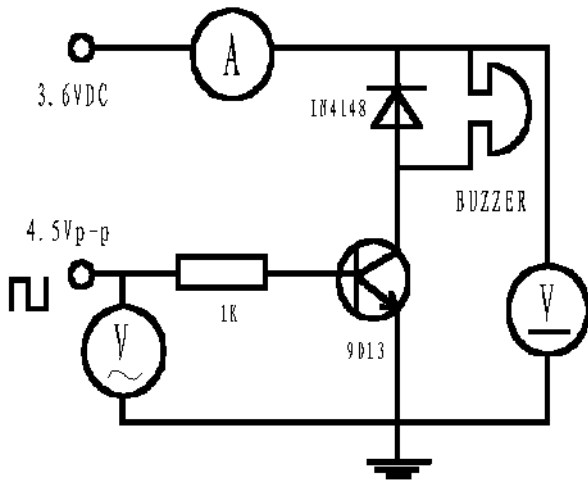
DATE 15-05-07
PAGE 3/7

SPECIFICATION

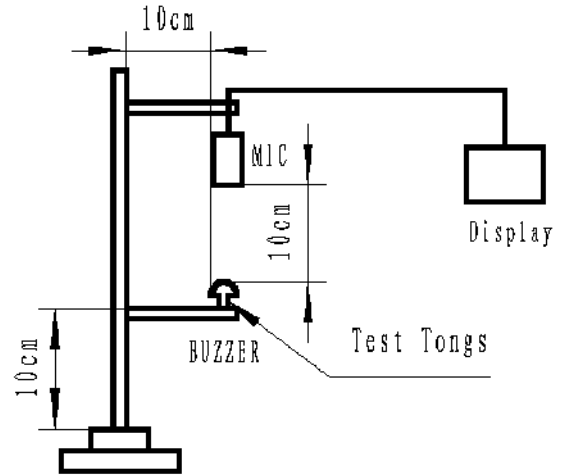
NINGBO BEST GROUP CO.,LTD
www.fbelec.com

MODEL NAME: SMT8504

TEST METHOD:

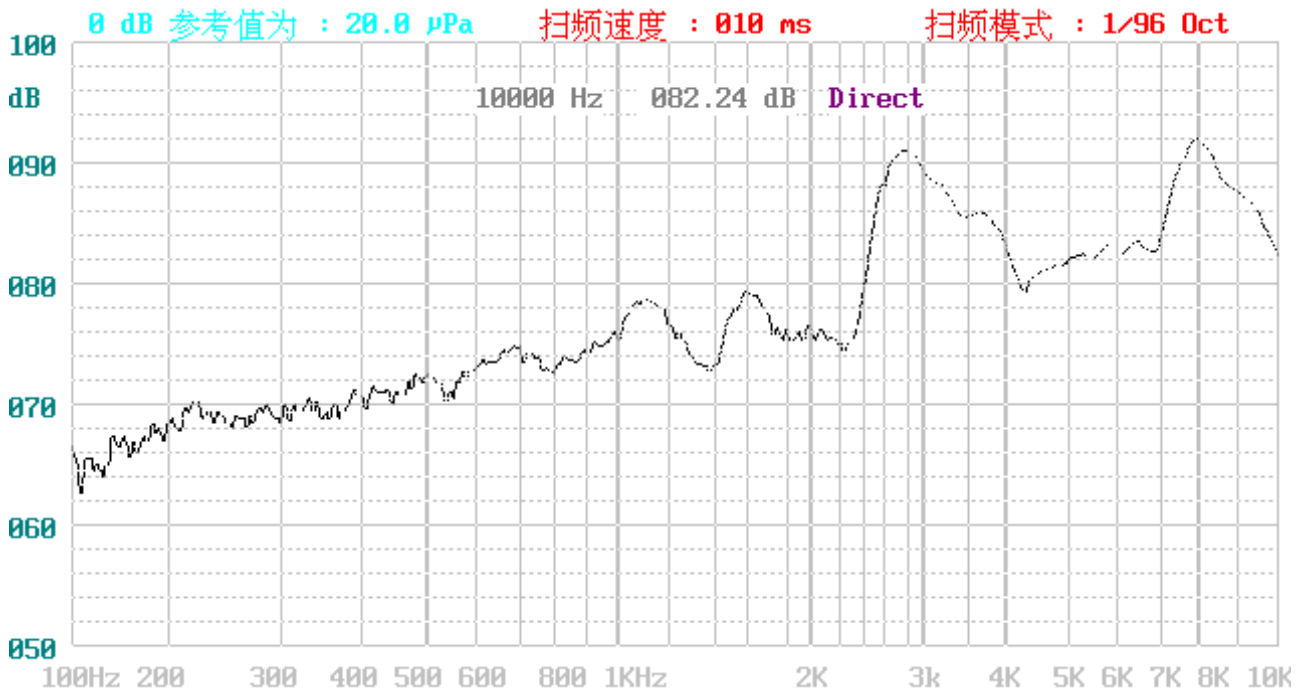



Test Circuit



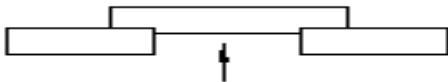
Test Equipments

FREQUENCY RESPONSE:



	DATE	15-05-07	SPECIFICATION	NINGBO BEST GROUP CO.,LTD
	PAGE	4/7		www.fbelec.com
	<i>MODEL NAME: SMT8504</i>			

RELIABLY TEST:

NO.	ITEM	TESTING CONDITION	VARIANCE AFTER TEST	
1	High temp. storage life	The part shall be capable of withstanding a storage temperature is +80°C for 120 hours	After the test the part shall meet specifications without any degradation in appearance and performance except SPL shall be initial value ± 10 dB or more.	
2	Low temp. storage life	The part shall be capable of withstanding a storage temperature is -30°C for 120 hours		
3	Temp. Cycle	Total 5 cycles, 1 cycle consisting of -30 \pm 2°C, 30 minutes 20 \pm 5°C 15 minutes 80 \pm 2°C, 30 minutes 20 \pm 5°C 15 minutes		
4	Humidity Test	30 \pm 2°C, 90~95% RH, 120 hours		
5	Vibration Test	The part shall be subjected to a vibration cycle is 10Hz in a period of 1 minute. Total peak amplitude shall be 1.52mm(9.3g). The vibration test shall consist of 2 hours per plane in each three mutually perpendicular planes for a total time of 6 hours.		
6	Shock	Sounder shall be measured after being applied shock (980m/s ²) for each three mutually perpendicular directions to each of 3 times by half sine wave.		
7	Drop Test	Dropped naturally from 700mm height onto the surface of 10mm thick wooden board. 2 directions-upper and side of the part are to be applied.		
8	Lift Test	At3.6Vo-p in room temperature continuously for 1000 hours.		
9	Lead pull	The part shall be pushed with a force of 9.8N for 10 \pm 1 seconds behind the part. 		After the test part shall meet specifications without any degradation in appearance and performance.
10	Recommended temp. Profile for Reflow Oven	Shown in Fig.1		



DATE 15-05-07

SPECIFICATION

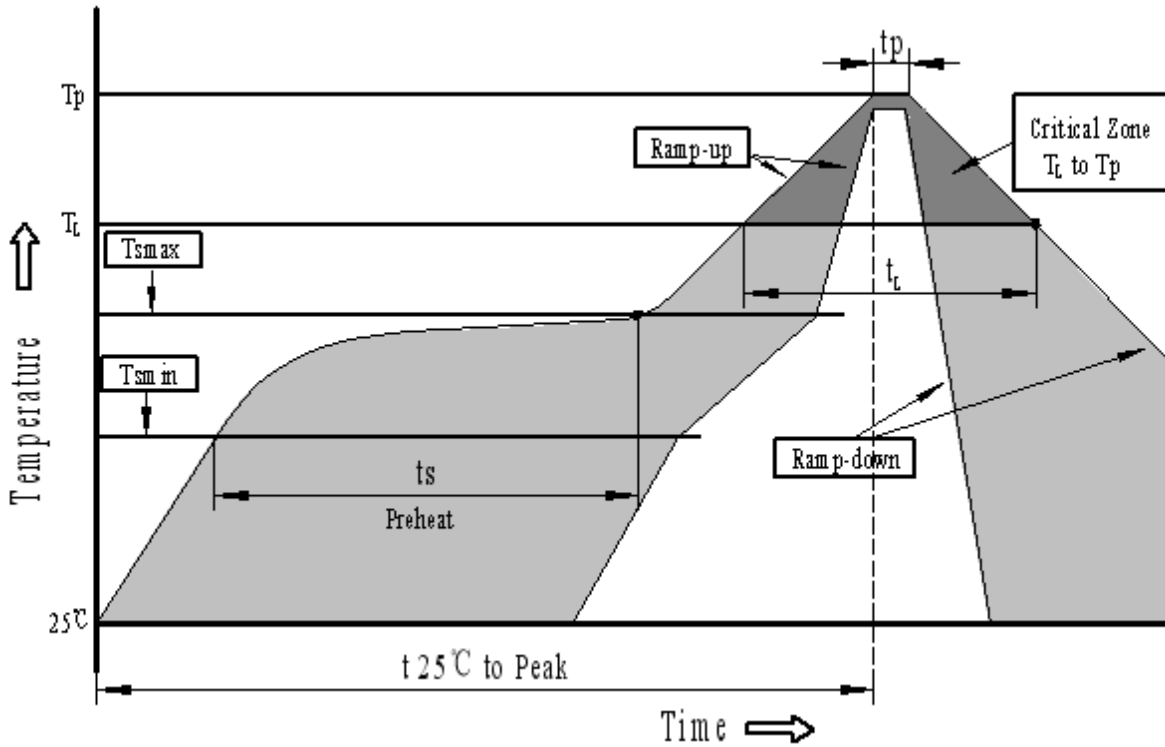
NINGBO BEST GROUP CO.,LTD

PAGE 5/7

www.fbelec.com

MODEL NAME: SMT8504

Recommended Temp. Profile for Reflow Oven (Fig.1)



Profile Feature	Pb-Free Assembly
Average ramp-up rate(T _L to T _p)	3°C/second max.
Preheat	
-Temperature Min.(T _{smin})	150°C
-Temperature Min.(T _{smax})	200°C
-Temperature Min.(ts)	60~180 seconds
T _{smax} to T _L	
-Ramp-up Rate	3°C/second max.
Time maintained above:	
- Temperature(T _L)	217°C
-Time(T _L)	60~150 seconds
Peak temperature(T _p)	250°C+0/-5°C
Time within 5°C of actual Peak temperature (tp)	6 seconds max.
Ramp-down Rate	6°C/second max.
Time 25°C to Peak Temperature	8 minutes max.

NINGBO BEST GROUP CO.,LTD

Tel: +86-574-87793491; Fax: +86-574-87792835

E-mail: sales@fbelec.com



DATE 15-05-07

SPECIFICATION

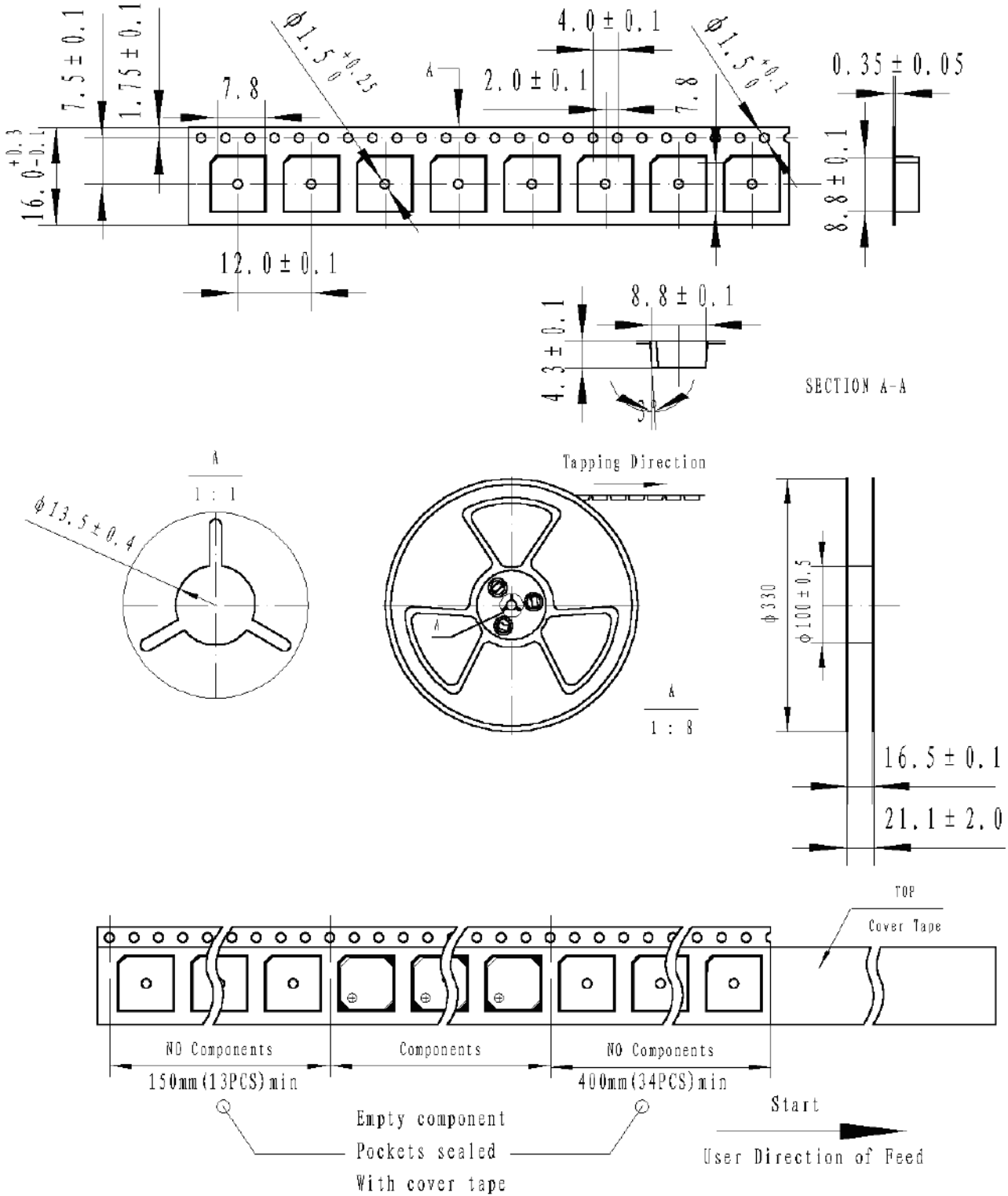
NINGBO BEST GROUP CO.,LTD


PAGE 6/7

www.fbelec.com

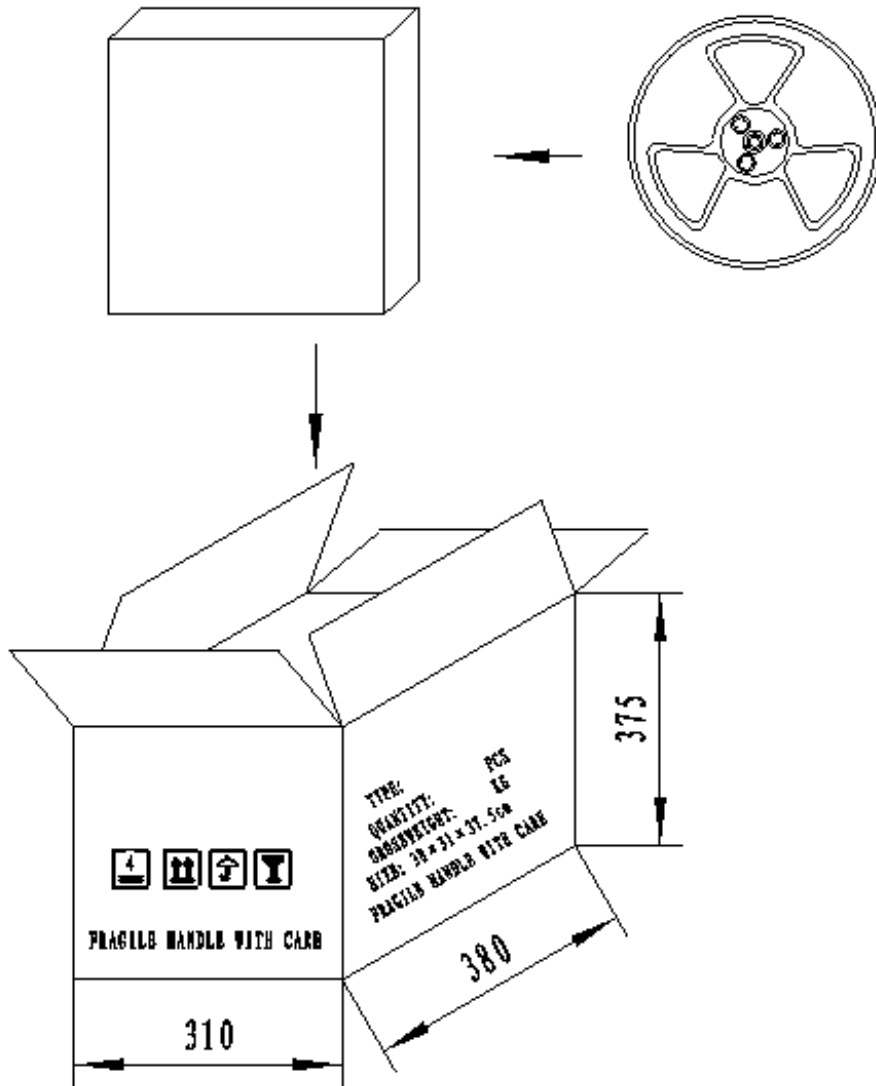
MODEL NAME: SMT8504

PACKING:



	DATE	15-05-07	SPECIFICATION	NINGBO BEST GROUP CO.,LTD
	PAGE	7/7		www.fbelec.com
<i>MODEL NAME: SMT8504</i>				

PACKING:



NOTES:

- 1.1000 PCS per box
- 2.Total 10 boxes per carton
- 3.Total 10000 PCS carton