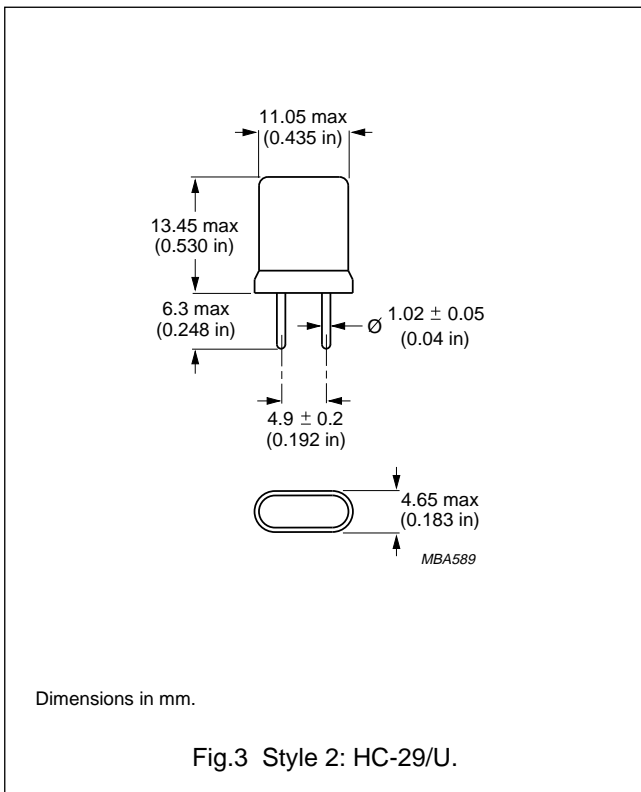
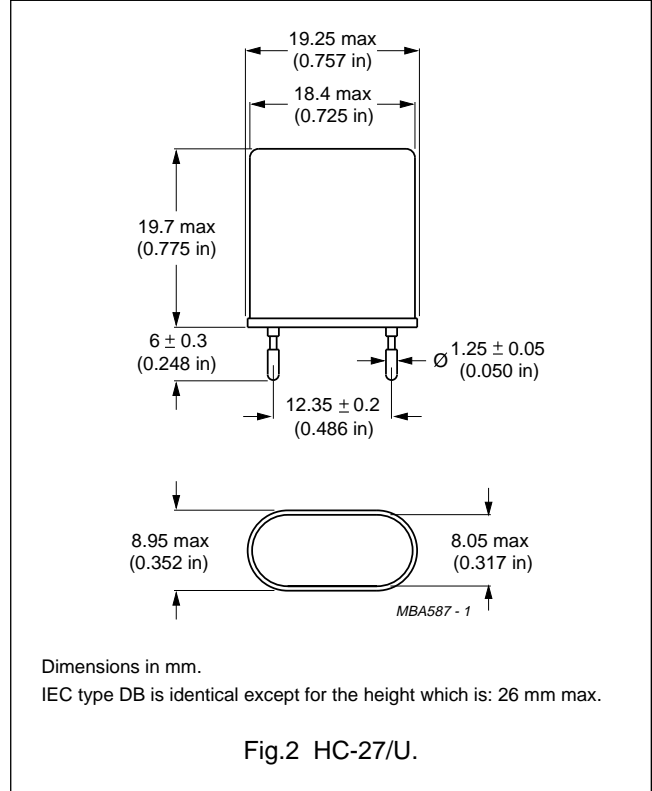
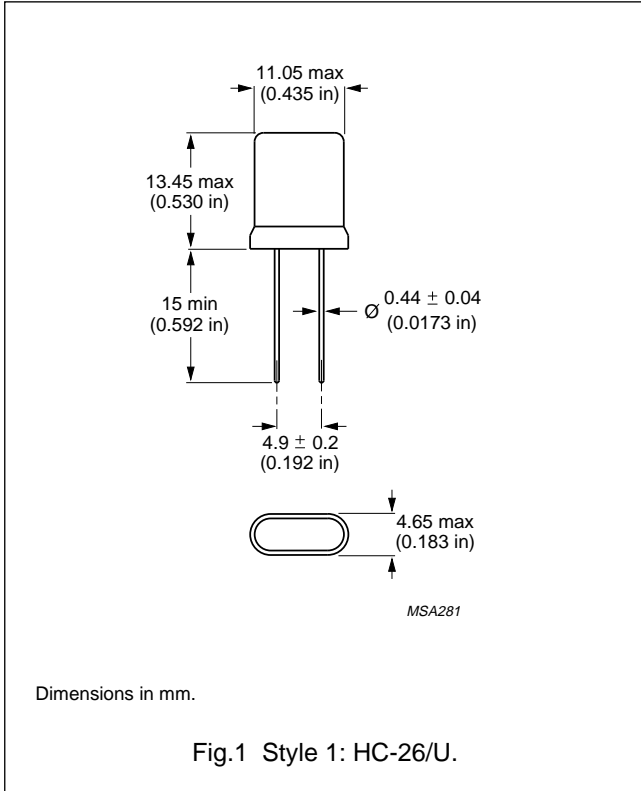


Quartz crystals

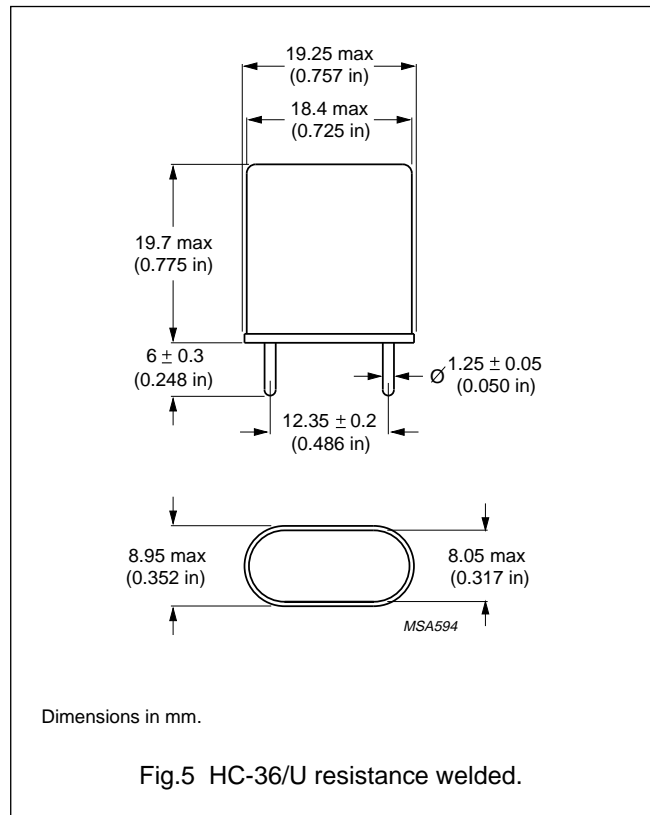
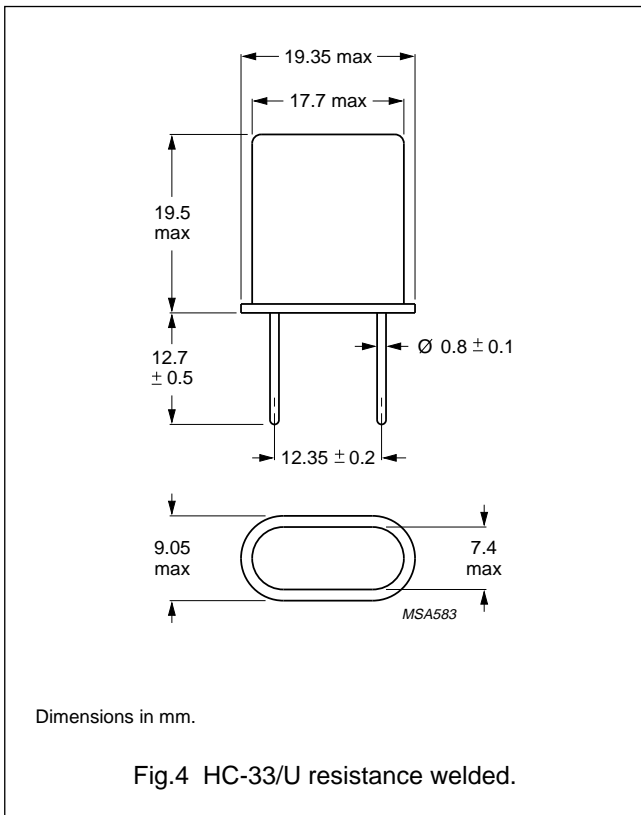
Overview of holder types

MECHANICAL DATA



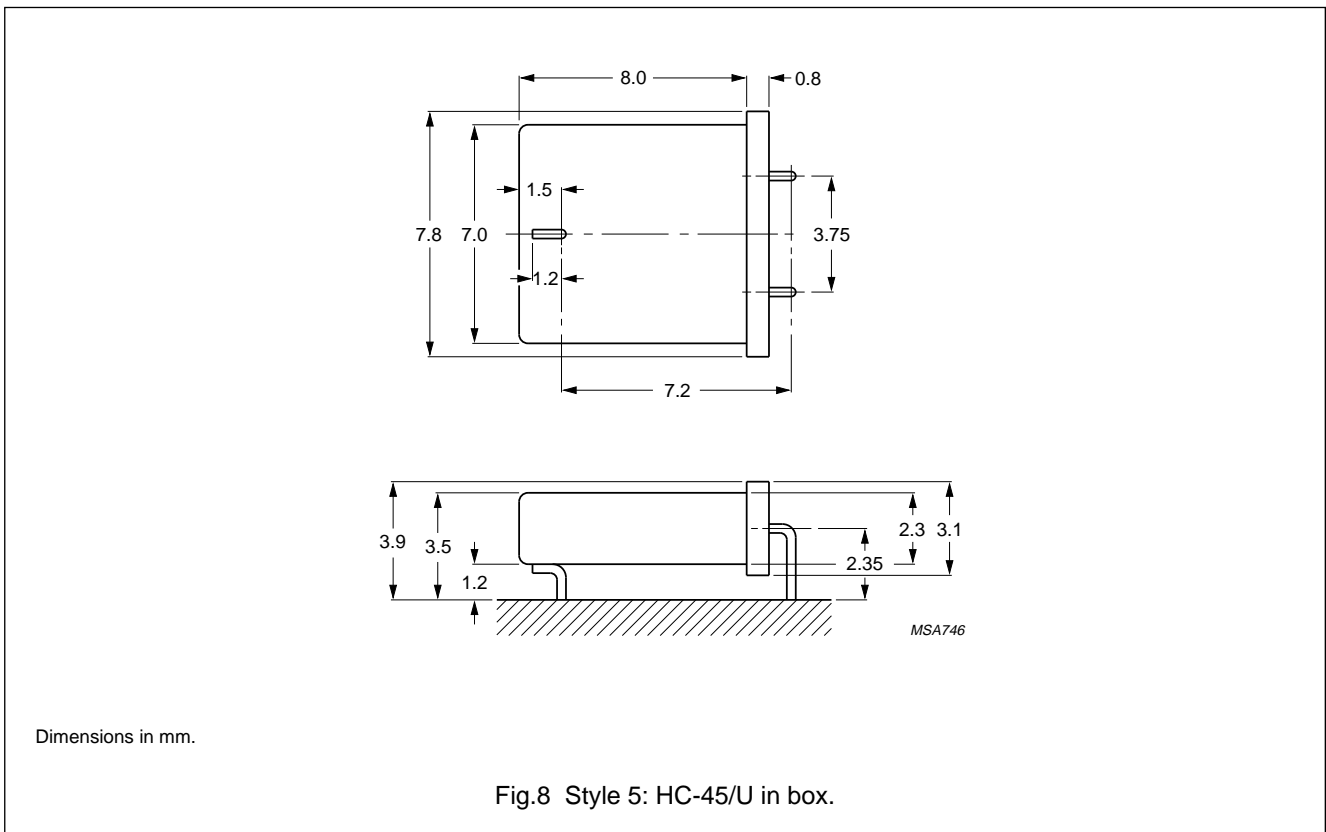
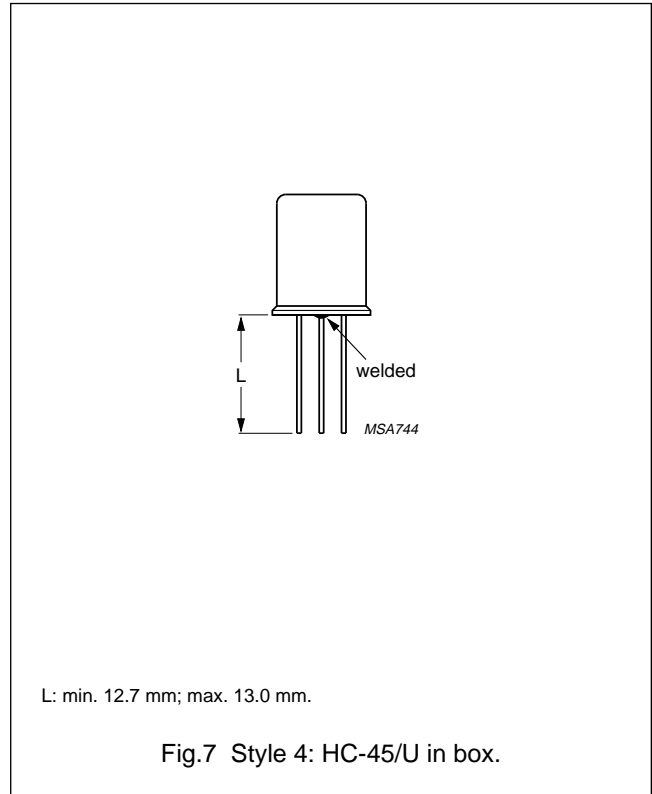
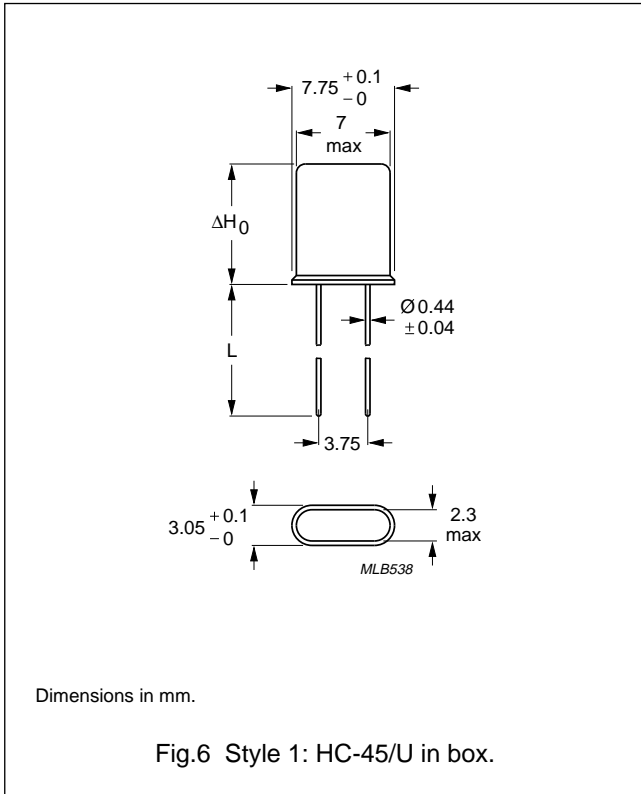
Quartz crystals

Overview of holder types



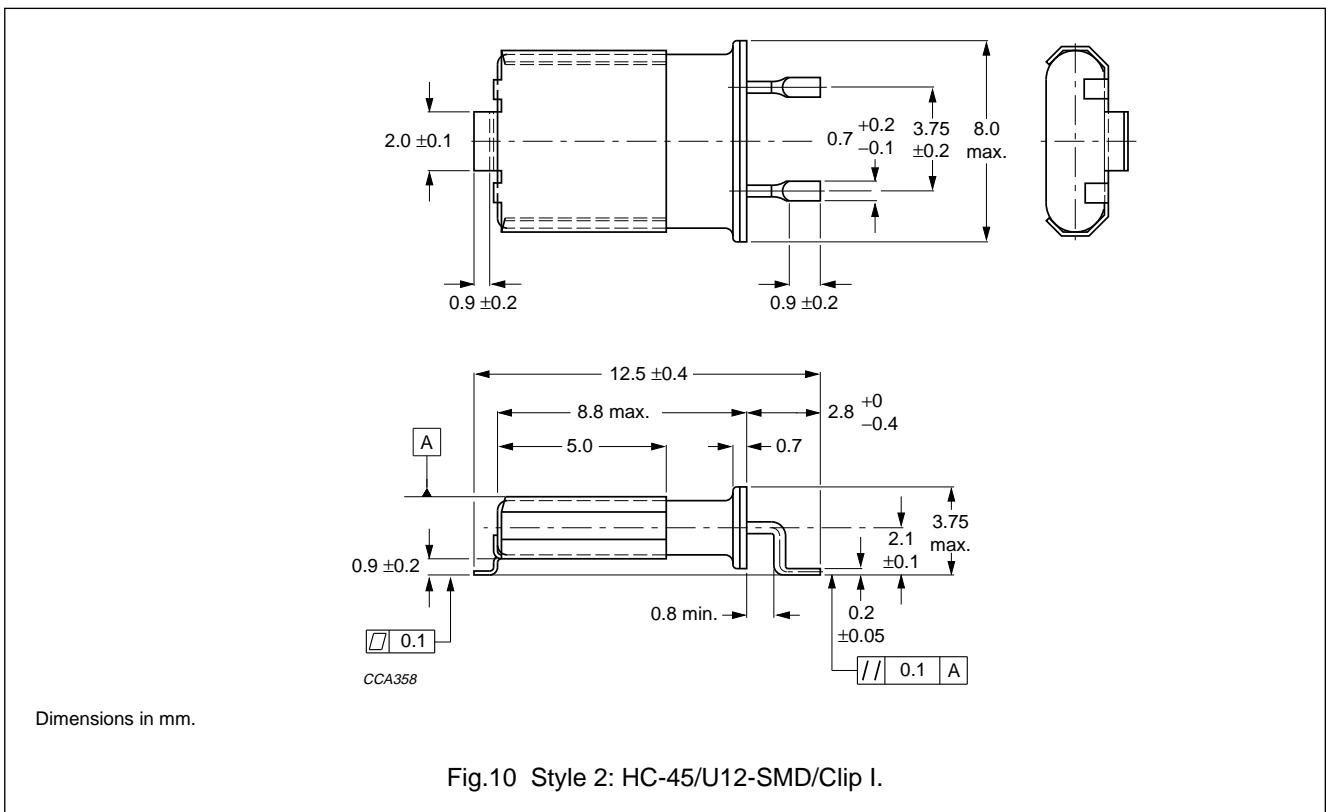
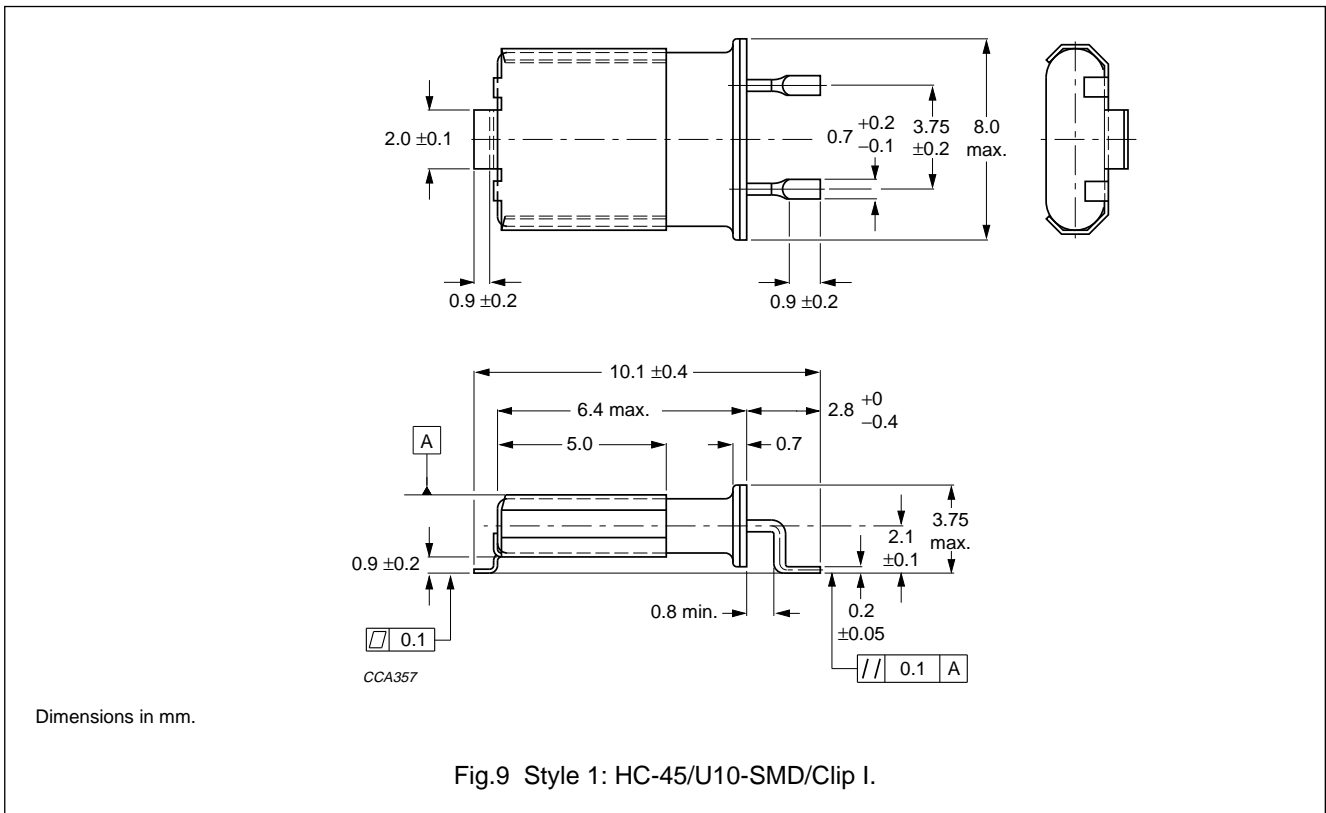
Quartz crystals

Overview of holder types



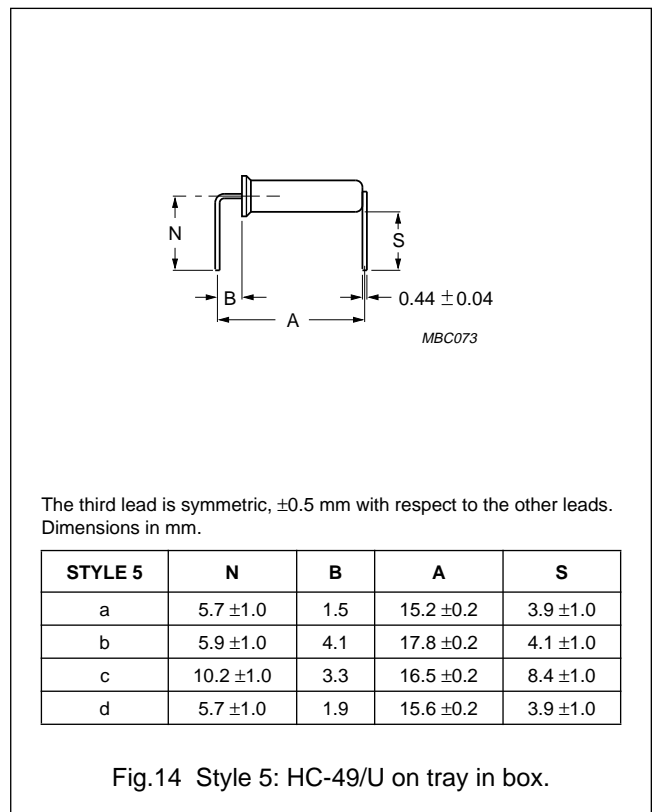
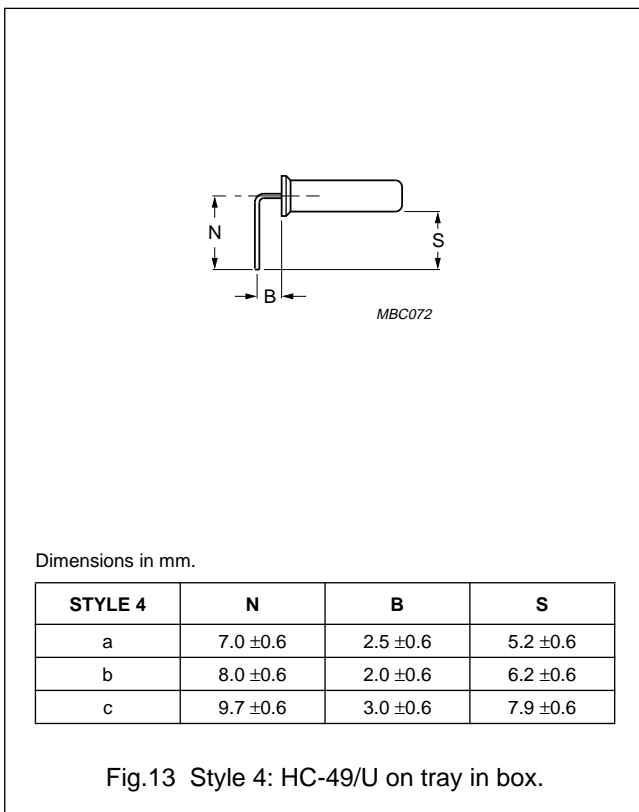
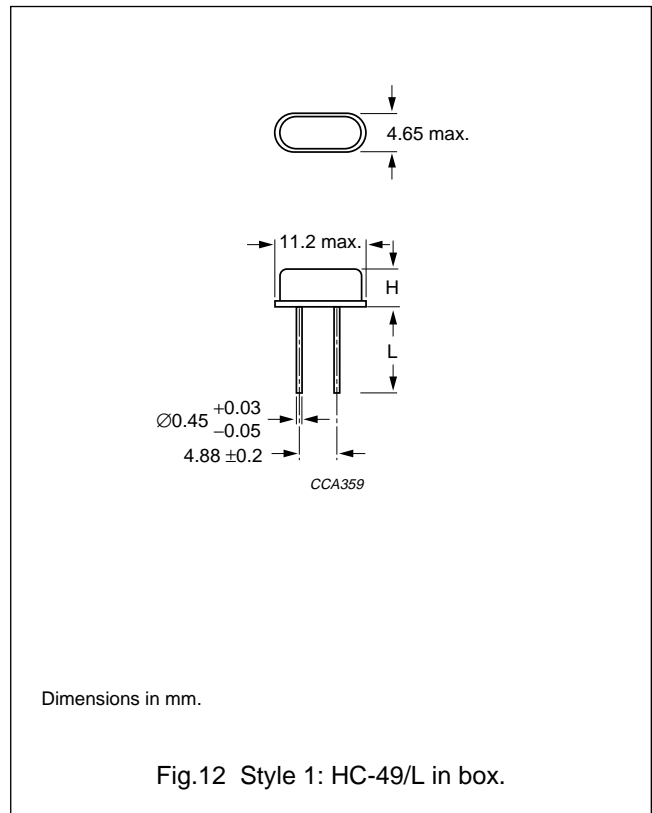
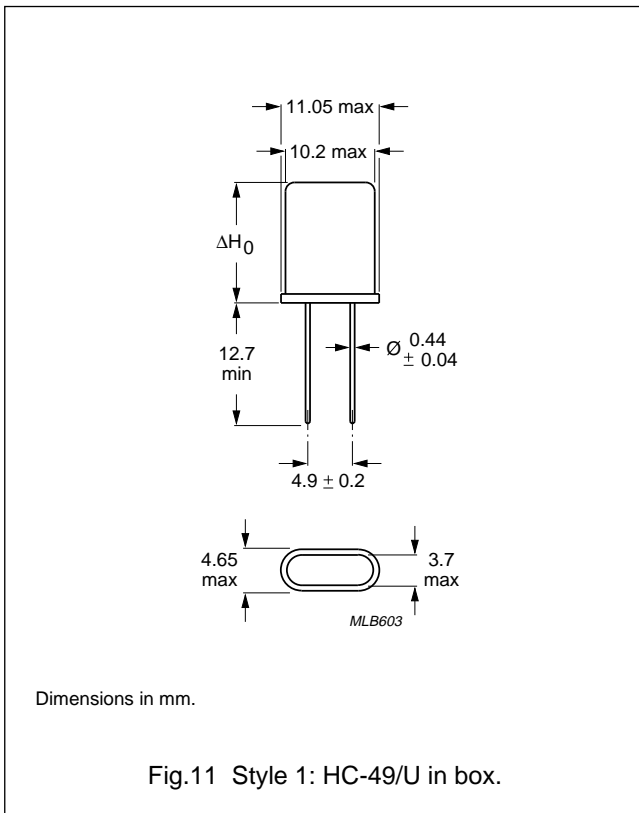
Quartz crystals

Overview of holder types



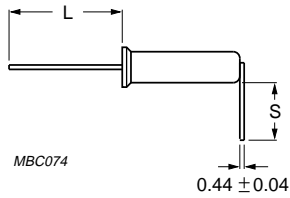
Quartz crystals

Overview of holder types



Quartz crystals

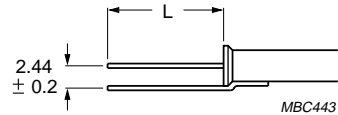
Overview of holder types



The third lead is symmetric, ± 0.5 mm with respect to the other leads. Dimensions in mm.

STYLE 6	L	S
a	13.2 \pm 0.5	4.5 \pm 1.0
b	13.2 \pm 0.5	10.0 \pm 1.0
c	5.0 \pm 0.5	19.5 \pm 1.0
d	13.2 \pm 0.5	19.5 \pm 1.0

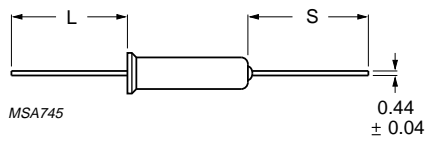
Fig.15 Style 6: HC-49/U on tray in box.



L: min. 12.7 mm; max. 13.0 mm.

The third lead is symmetric, ± 0.5 mm with respect to the other leads. Dimensions in mm.

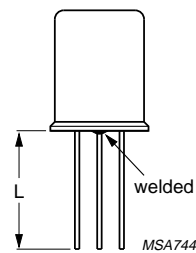
Fig.16 Style 7: HC-49/U on tray in box.



The third lead is symmetric, ± 0.5 mm with respect to the other leads. Dimensions in mm.

STYLE 8	L	S
a	13.2 \pm 0.5	16.0 \pm 1.0
b	5.0 \pm 0.5	16.0 \pm 1.0

Fig.17 Style 8: HC-49/U on tray in box.



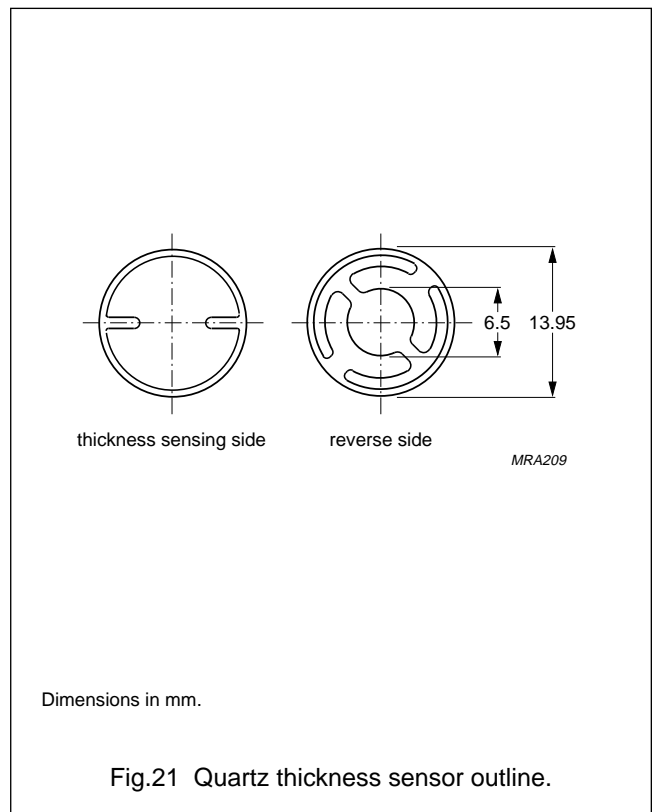
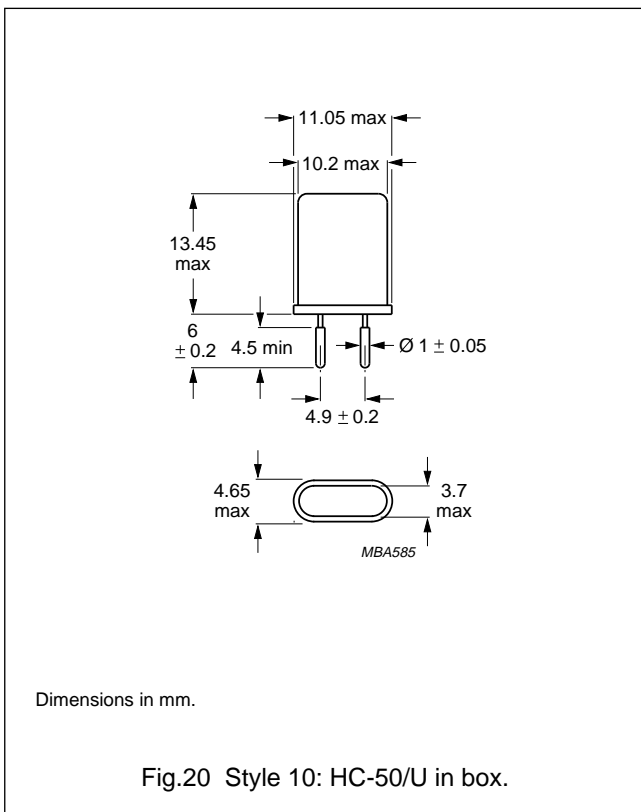
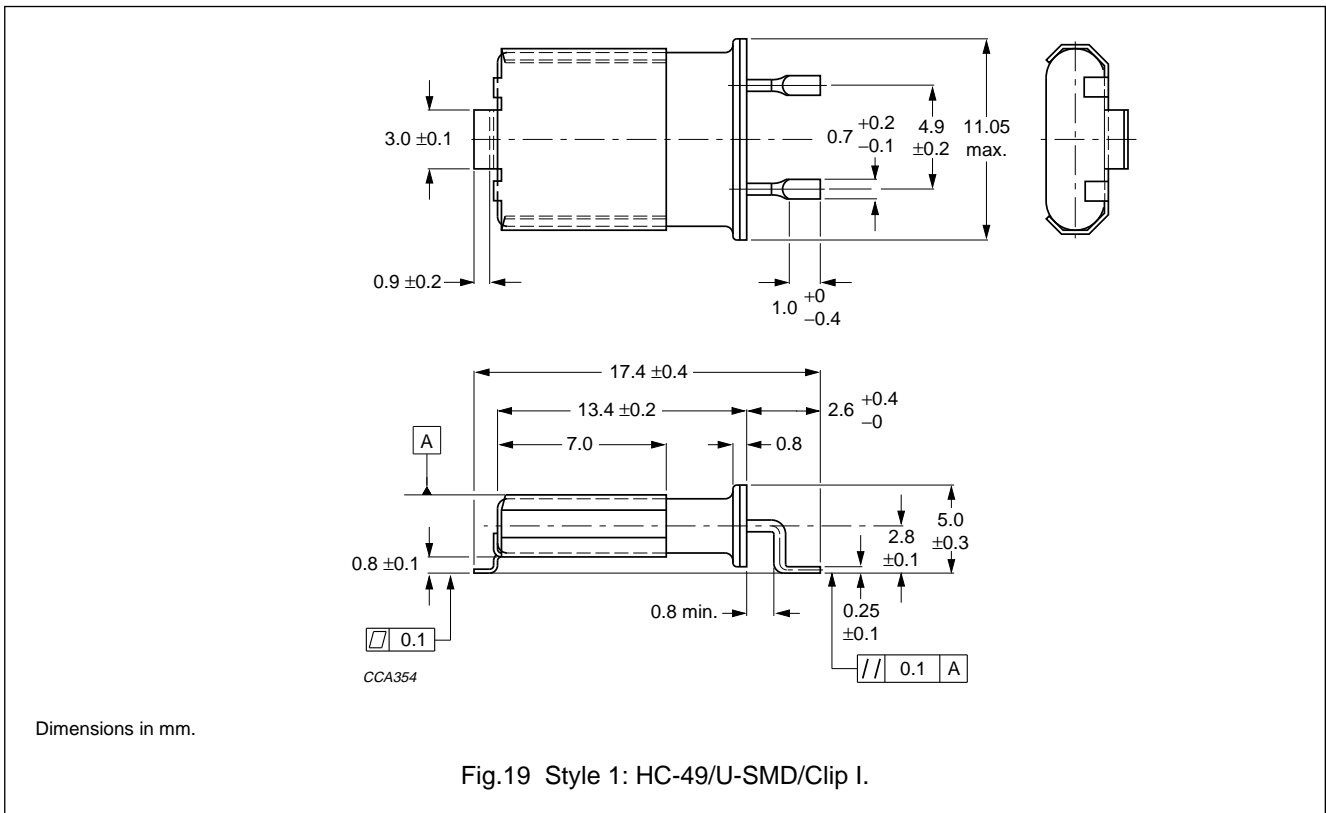
L: min. 12.7 mm; max. 13.0 mm.

The third lead is symmetric, ± 0.5 mm with respect to the other leads.

Fig.18 Style 9: HC-49/U on tray in box.

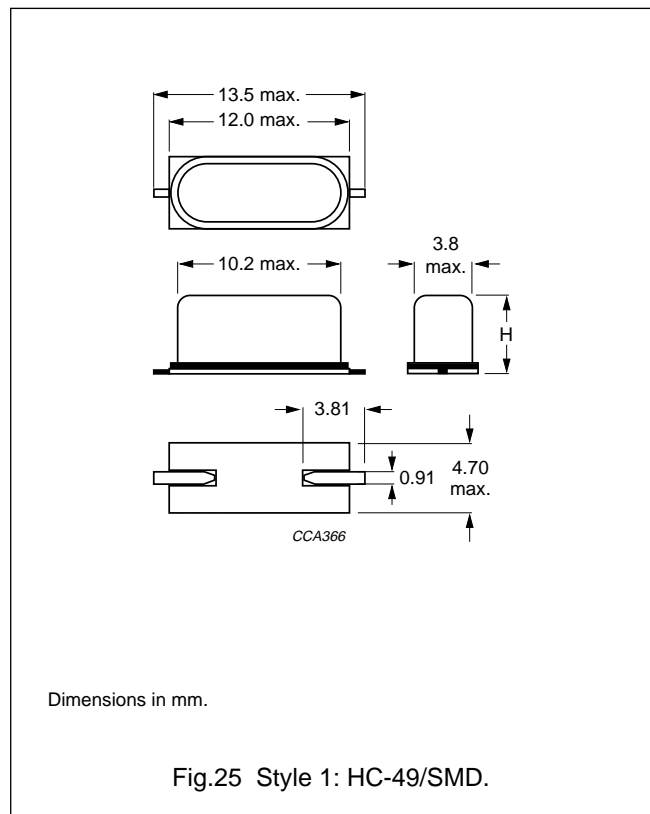
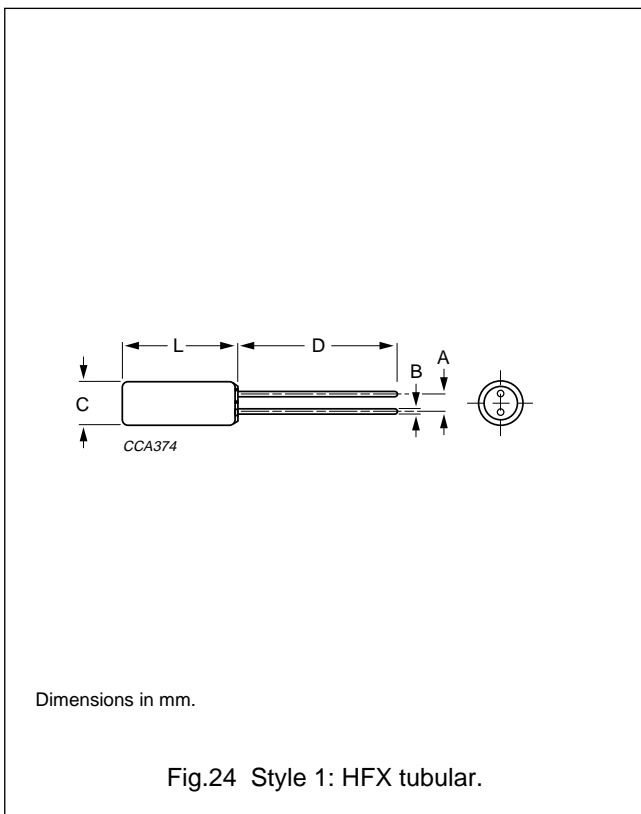
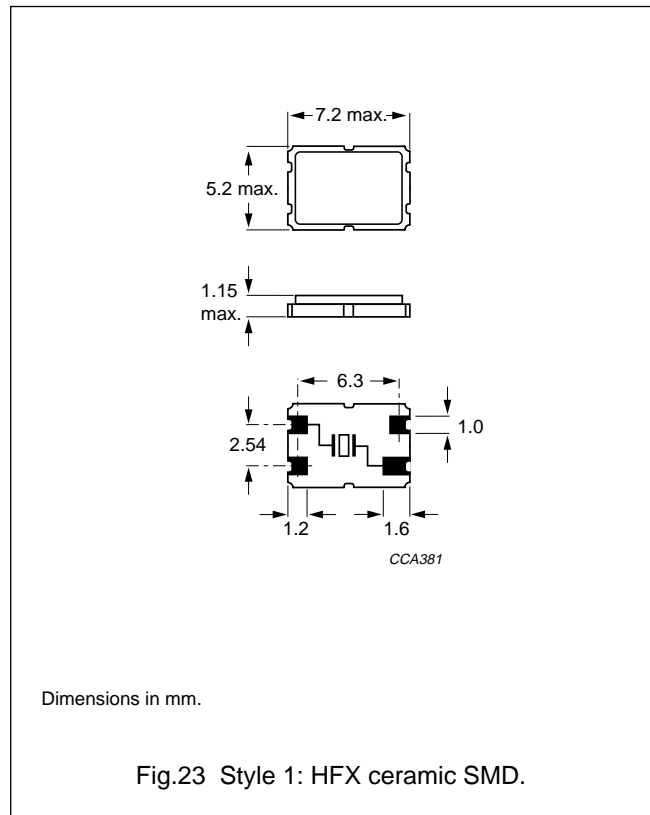
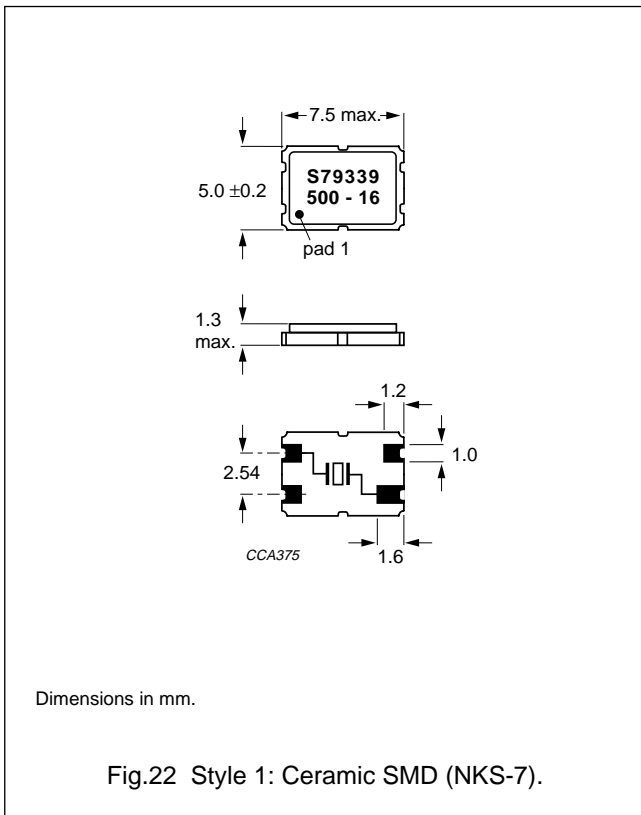
Quartz crystals

Overview of holder types



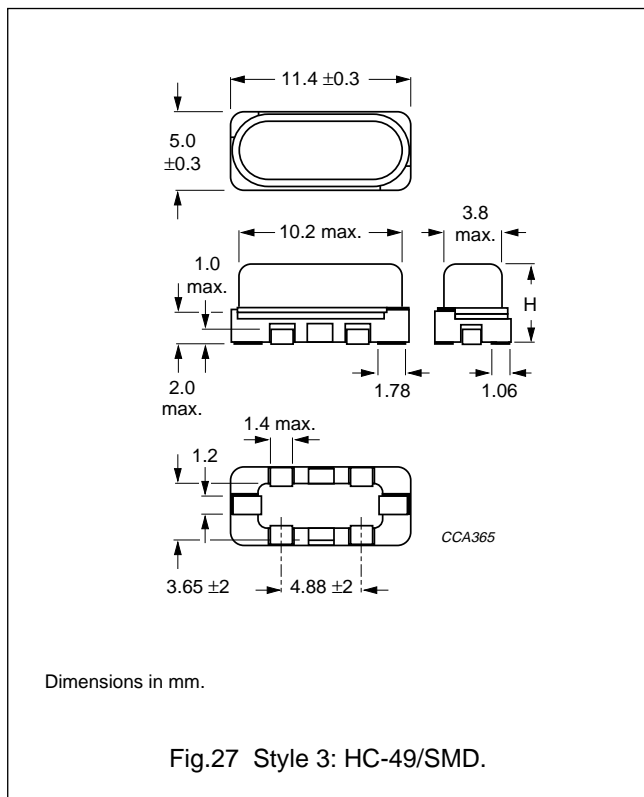
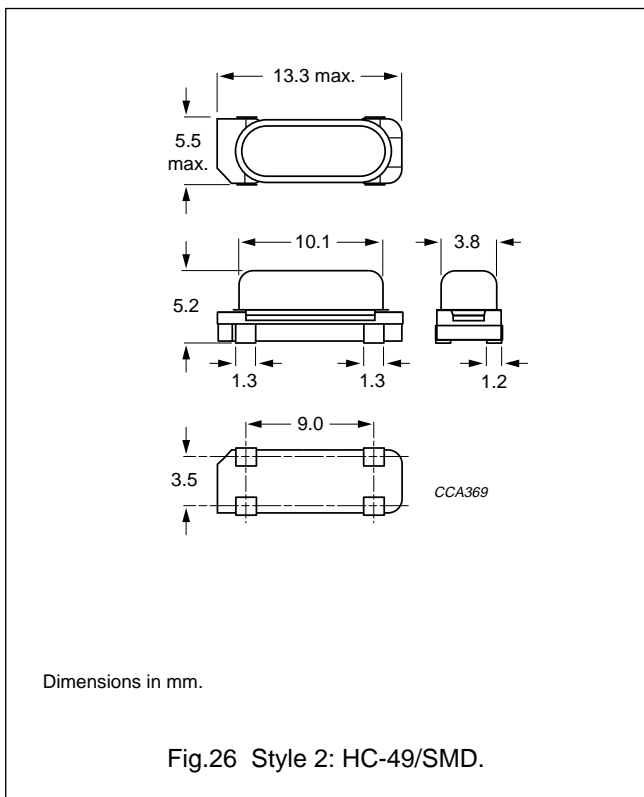
Quartz crystals

Overview of holder types



Quartz crystals

Overview of holder types



CROSS REFERENCE OF HOLDER TYPES

Corresponding IEC, DIN and MIL type numbers.

HOLDER TYPE	IEC 122-3	DIN 45110	MIL 3098	OTHERS ⁽¹⁾
HC-6/U	AA	K1A	HC-6/U	–
HC-26/U	CY	R2A	HC-26/U	–
HC-27/U	DA	Q1A	HC-27/U	–
HC-27/U, extended	DB	Q1B	HC-28/U	–
HC-29/U	CZ	R1A	HC-29/U	–
HC-33/U	DZ	K6B	HC-51/U	–
HC-45/U	EB; EK	N4B	HC-52/U	UM-1
HC-49/U9	–	–	–	–
HC-49/U11	EH	M4B	HC-49/U	HC-43/U
HC-49/U13	DP	M4C	HC-49/U	HC-18U
HC-50/U13	DQ	M3C	HC-42/U	–
RW-36	DN	K3A	HC-48/U	HC-36/U
RW-10	DS	K4A	–	–

Note

1. Corresponding numbers may have different sealing techniques.