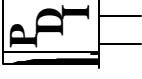


Precision Devices, Inc.

8840 N. Greenview Dr.
Middleton, WI 53562
Phone: 608-831-4445
1-800-274-XTAL
Fax: 608-831-3343



Visit our web site at www.pdixtal.com

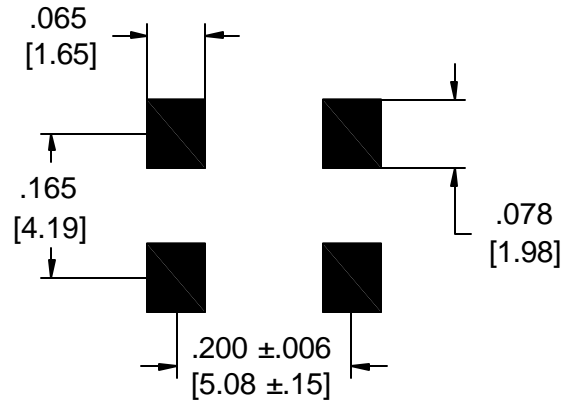
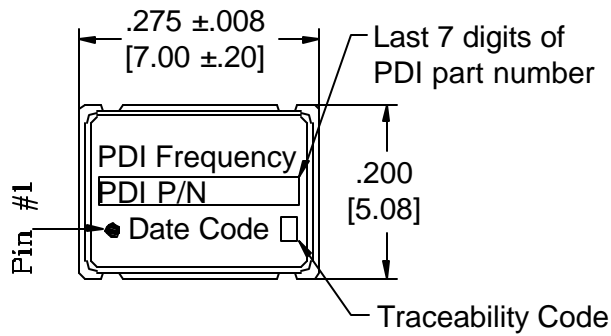
Sales Information sales@pdixtal.com

Electrical Specifications

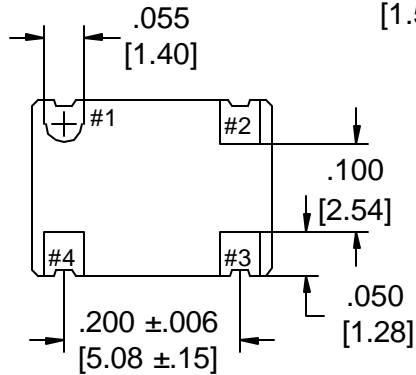
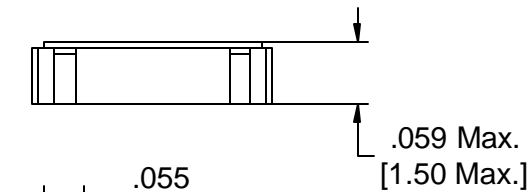
1. Center Frequency: 50.000000 MHz
2. Output: TTL/CMOS
3. Frequency Tolerance @25°C: ±50ppm
4. Operating Temperature Range: -20°C to +70°C
5. Frequency Stability over Temperature: ±50ppm
6. Storage Temperature Range: -55°C to +125°C
7. Duty Cycle: 45/55% typical, 40% /60% Maximum
8. T-Rise, T-Fall: 4.0nSec maximum from 0.8V to 2.2V
9. Supply Current (mA): 60mA Maximum
10. Supply Voltage: +3.3Vdc ±10%
11. Aging: ±5ppm/year

The information contained in this drawing is the sole property of Precision Devices Inc. Any reproduction in part or as a whole without the written permission of Precision Devices Inc. is prohibited.

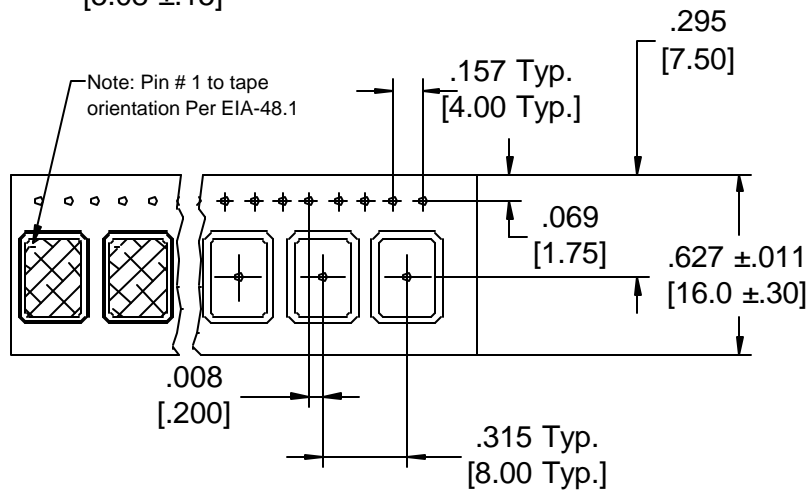
REV.	DATE	PAGE	DESCRIPTION	Auth.	ECN	Originator	Date	Engineering	Date
						D.G.	8/15/07	B.A.	8/15/07
						TITLE Crystal Oscillator Tape/Reel		FKA 2320R	
						PART NUMBER OCE750000XCCBRA			
						DATE 8/15/07	SCALE N.T.S.	ECN. N/A	REV. N/A
						SIZE A	CAGE OS4G1		Page 1 of 2



Recommended Land Pattern



PIN	Connection
1	Enable/Disable
2	Ground
3	Output
4	Vcc



Precision Devices Inc.

8840 N. Greenview Dr.
Middleton WI 53562
608-831-4445
1-800-274-XTAL



Manufacturer of Quartz Crystal Products

DECIMAL XX=±.020 XXX=±.008	DWG FILE 2320R	PART NUMBER OCE750000XCCBRA	
METRIC XX=±.50 XXX=±.20	SCALE N.T.S.	FREQUENCY 50.000 MHz	DRAWN BY D. Gibney
ANGULAR XX=±2°	REV. LEVEL N/A	ECN NO. N/A	DATE 8/15/07
		CAGE CODE OS4G1	Page 2 of 2