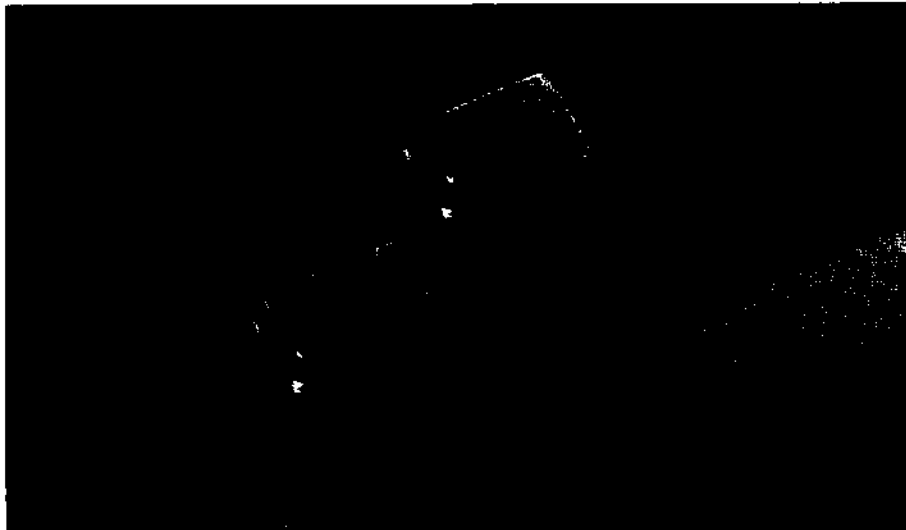


MGXO SERIES

ULTRA-STABLE GT OSCILLATORS WITH PEAC

5 Hz

3.2 MHz



The MGXO series oscillators use the miniature GT-cut crystals (MGQ) developed by Seiko Instruments, Inc. The frequency-temperature characteristics of the MGXO are excellent, and a stable frequency is easily obtained over a wide temperature range. The MGXO is available in three packages, ranging from the standard 14-pin DIP, to the unique SM package design.

■ FEATURES

- Low power consumption.
- Hermetically sealed case.
- Excellent frequency stability over a wide temperature range.
- Aging factor of ± 2 ppm per year.
- Frequency can be electrically adjusted (PEAC).
- Divided output for stable low frequency applications.

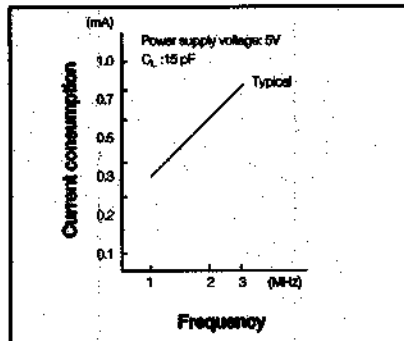
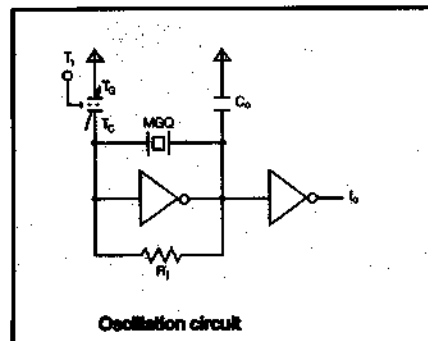
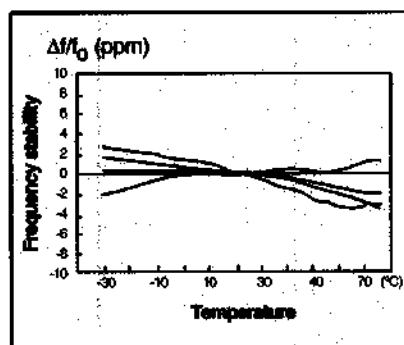
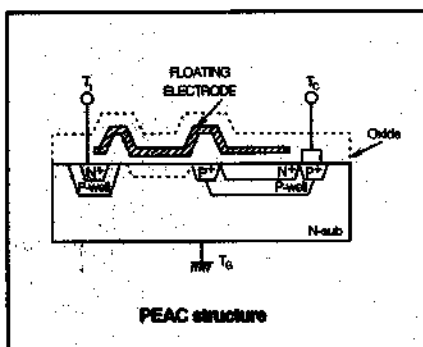
■ STANDARD FREQUENCIES

51, SM	GB (MHz)			51, SM (MHz)		
1.0 Hz	1.000	1.280	1.792	2.000	2.112	
32.768 kHz	1.048576	1.536	1.800	2.080053	2.40299	
224 kHz	1.200	1.600	1.8432	2.097152	2.4576	
	1.2288		1.920	2.100	2.560	
	1/2, 1/8, 1/32, 1/64, 1/256, 1/2 ⁿ , 1/2 ²ⁿ divided frequency output					

■ NOTES

Special frequencies and custom specifications are available upon request.

■ CHARACTERISTICS



■ APPLICATIONS

Communications and telecommunications equipment, facsimile, cellular telephones, real-time clocks, pocket pagers, and instrumentation.

Precision Electrical Adjustable Capacitance Element (PEAC)

The MGXO series has built-in a precision electrical adjustable capacitance element (PEAC) instead of a trimmer capacitor. The PEAC is a floating gate semiconductor element with an injection terminal (TI), capacitance terminal (TC) and ground terminal (TG). The internal capacitance can be varied by applying (+) or (-) 15 VDC between TI and TG, injecting an electrical charge at the gate. By using the PEAC, frequency is finely adjustable even when the case is hermetically sealed (resistance welded). This improves reliability and makes dipped-washing of the oscillator possible. TI is connected to pin #1 (#3 for the SM) as Fadj (frequency adjustment). When adjustment is not required, connect Fadj. to the plus (+) power supply. For specific PEAC technical notes, contact your local Seiko Instruments sales office.

