

1

2

3

4

5

6

7

8

A

A

B

B

C

C

D

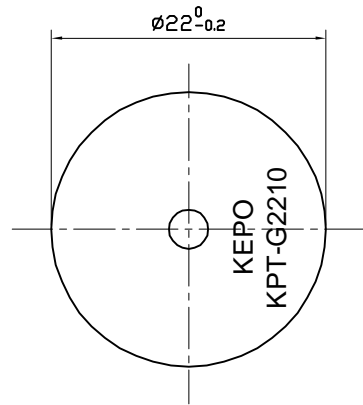
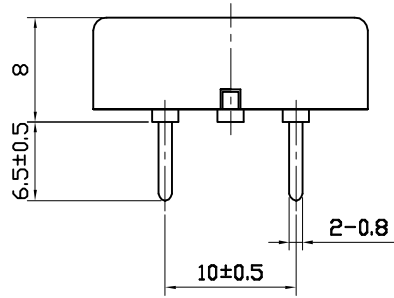
D

E

E

F

F



## SPECIFICATION

1. Rated Voltage .....12Vp-p Square Wave
2. Operating Voltage .....30Vp-p Square Wave
3. Max. Rated Current .....3mA at 4.0KHz/12Vp-p Square Wave
4. Min. Sound Pressure Level.....88dB at 4.0KHz/12Vp-p Square Wave/10cm
5. Capacitance at 120Hz .....14000pF±30%
6. Resonant Frequency .....4.0±0.5KHz.
7. Case Material.....PA
8. Operating Temperature .....-20~+80℃.
9. Store Temperature .....-30~+100℃ .
10. Weight .....2.5g.

				<b>KEPO</b> NINGBO KEPO ELECTRONIC CO.,LTD <a href="http://www.chinaacoustic.com">http://www.chinaacoustic.com</a>	
No.		DESCRIPTION	APPROVED	DATE	Piezo Transducer KPT-G2210(印字1)
TOLERANCES UNLESS NOTED OTHERWISE .X = .XX = .XXX = 90° FORMED +2° ANGLES -1°		APPROVALS	DATE		
FIRST ANGLE PROJECTION 		DRAWN			UNIT
		CHECKED			mm
		APPROVED		07.02.08	DWG NO. KP3.840.209.03R
					SCALE NOT TO SCALE
					SHEET
					VER 1.0

1

2

3

4

5

6

7

8