

1

2

3

4

5

6

7

8

A

A

B

B

C

C

D

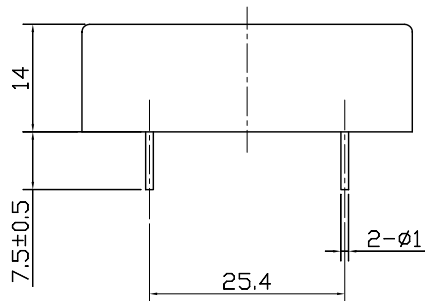
D

E

E

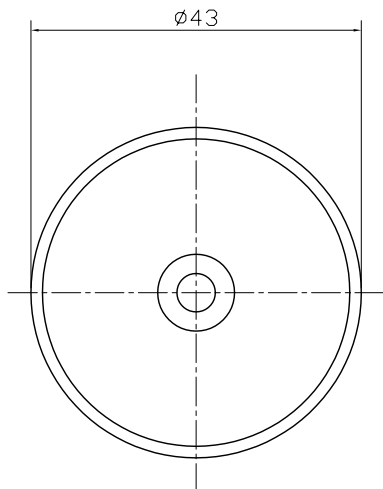
F

F



SPECIFICATION

- 1. Rated Voltage12Vp-p Square Wave
- 2. Operating Voltage30Vp-p Square Wave
- 3. Max. Rated Current10mA at 3.3KHz/12Vp-p Square Wave
- 4. Resonant Frequency3.3±0.5KHz
- 5. Min. Sound Pressure Level.....90dB/3.3KHz/12Vp-p Square Wave/30cm
- 6. Capacitance at 100Hz.....30000pF±30%
- 7. Shell Material/ColorABS/Black
- 8. Operating Temperature-20~+60°C
- 9. Store Temperature-30~+70°C
- 10. Weight10g



				KEPO NINGBO KEEP IMPROVING ELECTRONIC CO.,LTD http://www.chinaacoustic.com	
				Piezo Buzzer KPT-4310	
No.	DESCRIPTION	APPROVED	DATE		
<small>TOLERANCES UNLESS NOTED OTHERWISE X = ± .XX = ± .XXX = ± 90° FORWARD +2° ANGLES -1°</small>		APPROVALS		DATE	
		DRAWN			
		CHECKED		UNIT	DWG NO.
		APPROVED		mm	KP3.840.228
			03.01.20	SCALE	SHEET
					VER 1.0

1

2

3

4

5

6

7

8