

宁波凯普电子有限公司

Ningbo Keep Improving Electronics Co.Ltd.

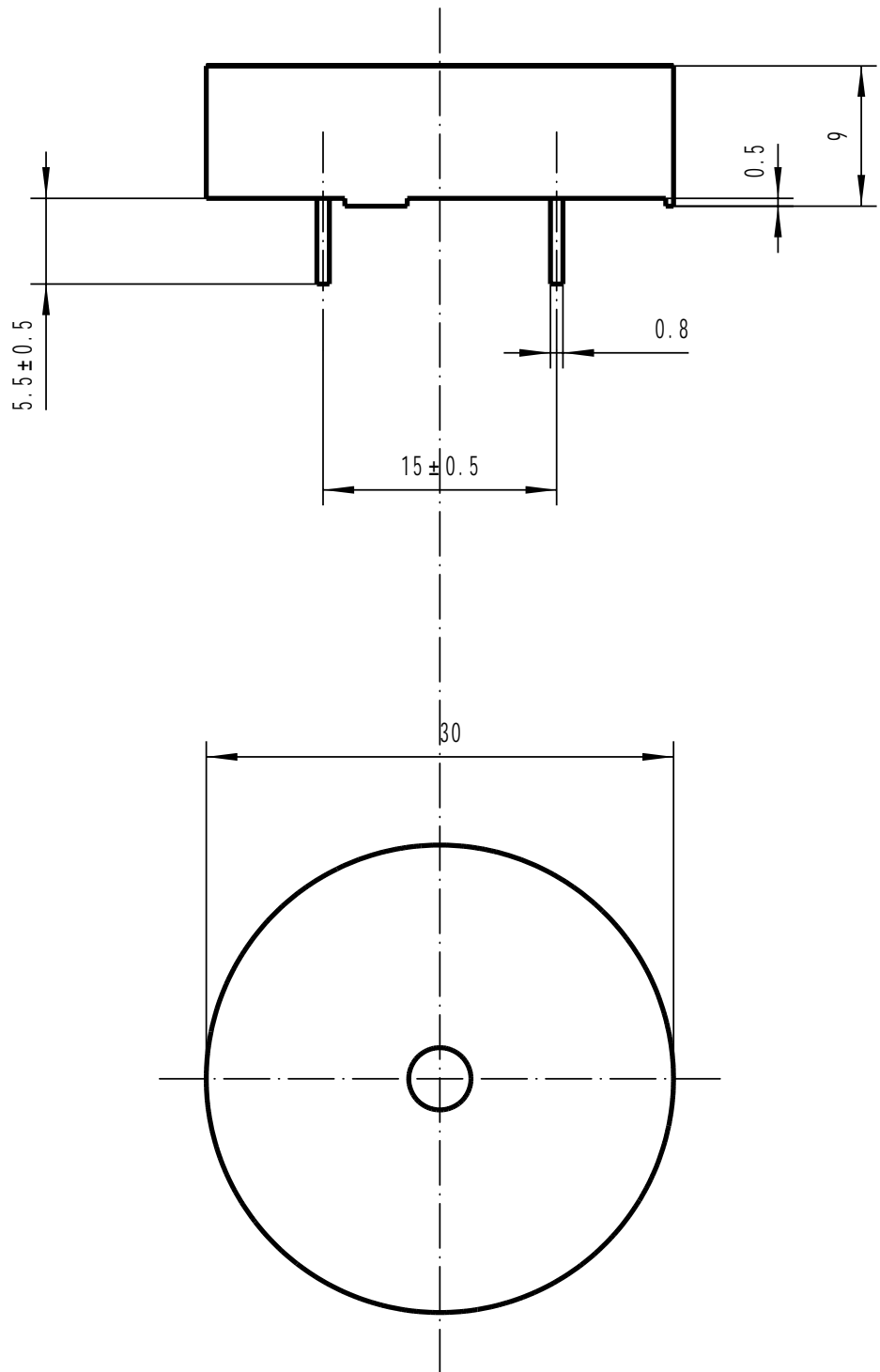
Tel:(+86)0574-88370330
Fax:(+86)0574-88370329

E-Mail: kepo@mail.nbptt.zj.cn
Http://www.chinaacoustic.com

制 品 规 格 书 Engineering Laboratory Specification

客户名称 Customer		凯普型号 Kepo Model	KPT-3015
客户型号 Customer NO.		图号 DWG NO.	KP3.840.216
概述 Scop.	此确认书仅使用于压电式声响器/蜂鸣器 This specification is only used for piezo transducer/buzzer		
编号 NO.	项 目 Items	规 格 Specifications	
1	额定电压 Rated Voltage	24Vp-p Square Wave	
2	工作电压 Operating Voltage	30Vp-p Square Wave	
3	额定电流 Max. Rated Current	6mA at 1.2KHz/24Vp-p Square Wave	
4	额定声压 Min. Sound Pressure Level	90dB at 1.2KHz/24Vp-p Square Wave/10cm	
5	音调 Tone Nature	/	
6	静电容量 Capacitance at 100Hz	45000pF ± 30%	
7	谐振频率 Resonant Frequency	1.2 ± 0.5KHz	
8	壳体材料/颜色 Shell Material/Color	ABS/BLACK	
9	工作温度 Operating Temperature	-20 ~ +60	
10	贮存温度 Store Temperature	-30 ~ +70	
11	重量 Weight	6g	
备注 Note:			
设计 Designed By	查核 Checked By	承认 Approved By	日期 Date 00.09.12

REVISIONS				APPLICATION	
REV	DESCRIPTION	DATE	APPROVED	NEXT ASSY	USED ON



TOLERANCES UNLESS NOTED OTHERWISE .X ± .XX ± .XXX ± 90° FORMED +2° ANGLES -1°		SIGN	DATE	KEPO MODEL NO.	CUSTOMER	
	PREP.		00.09.12	KPT-3015	CUSTOMER NO.	
	ENG.			DWG NO.	REV 1.0	SHEET
	PROJ.			KP3.840.216	UNIT: mm	SCALE
	CONTRACT NO.				KEPO CO.LTD.	TEL:(+86)574-88370330
FIRST ANGLE PROJECTION	AGENCY APPROVAL					

