

Specification for Electronic Siren	Page	2/9
Model No. : KPS-GAM67T-20A-1M-419	Revision No.	1.1
	Drawing No.	KTC419R

CONTENTS

1. Scope
范围
2. General
概要
3. Electrical and Acoustic Characteristics.
电声参数
4. Reliability Test
可靠性试验
5. Measurement Block Diagram
测试图
6. Structure
结构
7. Dimensions
尺寸
8. Packing
包装
9. Revision
履历表

Specification for Electronic Siren	Page	3/9
	Revision No.	1.1
	Drawing No.	KTC419R

Model No. : KPS-GAM67T-20A-1M-419

1. Scope

This product specification is applied to the siren used for sounder in alarm systems. Please contact us when using this product for any other applications than described in the above.

本规格书适用于报警器，通常它用在系统中做报警或提示，如果将该产品用于其它领域，请与我们联系。

2. General

2.1 Out-Diameter : Ø67 mm

外径: Ø67 mm

2.2 length : 94.5mm

长度: 94.5 mm

2.3 Weight : 365 gr.

重量: 365克

2.4 Operating Temperature range:

-30~+80°C without loss of function

工作温度: -30~+80°C

2.5 Store Temperature range:

-40~+85°C without loss of function

储藏温度: -40~+85°C

3. Electrical and Acoustic Characteristics.

Test condition : 15 ~ 35 °C, 25% ~ 85% RH, 860~1060 mbar

测试条件: 15~35 °C, 25%~85%RH, 860~1060mbar

	Items 项目	Specification 规格
1	Rated Voltage 额定电压	12VDC
2	Operating Voltage 工作电压	6-14VDC
3	Power Rating RMS 额定功率	15W
4	Power Rating Peak 峰值功率	20W
5	Max. Rated Current 额定电流	• 1300mA/12VDC
6	Min. Sound Pressure Level 额定声压	• 105dB/12VDC/1m
7	Frequency scope 频率范围	1.4-2.8KHz
8	Tone Nature 音调	Siren
9	Voice Coil Impedance 音圈阻抗	8 Ohm(at 1 KHz)
10	Case Material/Color 壳体材质/颜色	ABS/Black

Specification for Electronic Siren	Page	4/9
	Revision No.	1.1
	Drawing No.	KTC419R

Model No. : KPS-GAM67T-20A-1M-419

4. Reliability Test

After test(1~6item), the electronic siren SOUND METER OR EQUIVALENT . difference shall be within $\pm 10\text{dB}$, and the appearance not exist any change to be harmful to normal operation(e.g.cracks,rusts,damages and especially distortion).

在1-6项试验后，报警器的声压变化值在 $\pm 10\text{dB}$ 之内，外观无变化（例如：开裂、生锈、损伤、变形等现象）。

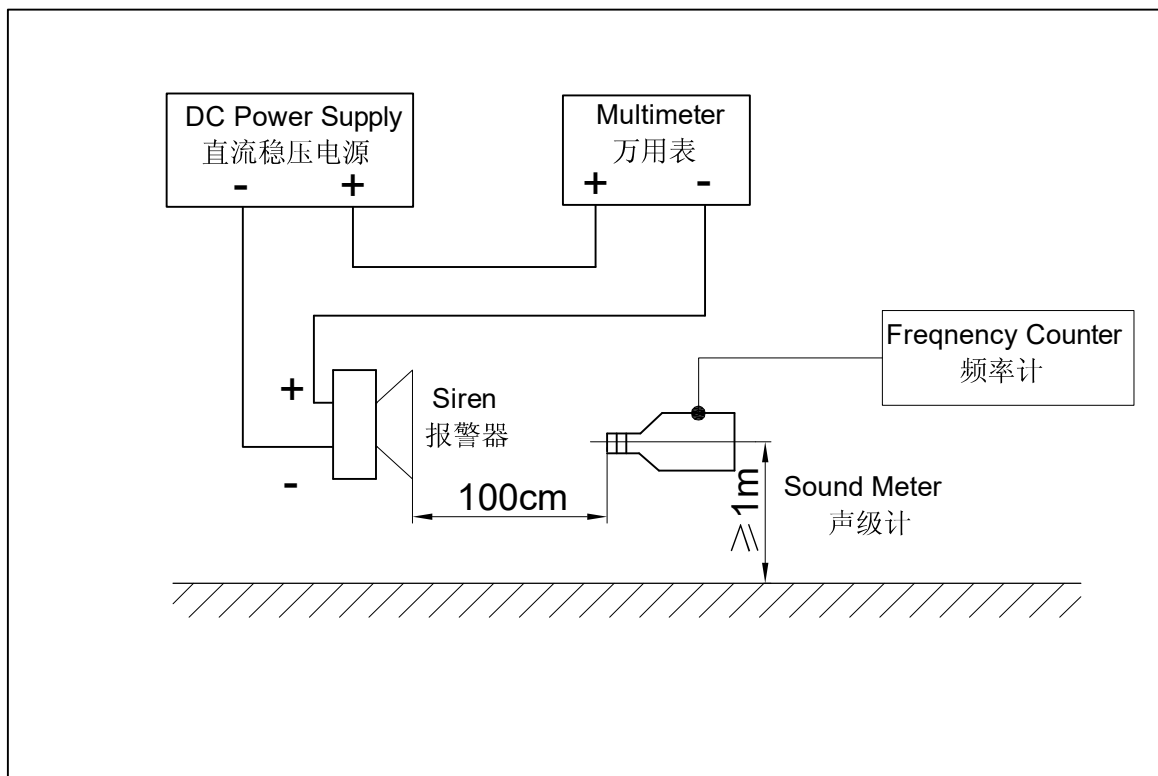
	Item	Specification
1	High Temperature Test 高温试验	<p>According to the standard of QC/T413-2002 4.10.1 GB/T2423.1, after 8hours under $(+85\pm 2)^\circ\text{C}$, request: After the product is in normal temperature, sounder shall be measured.</p> <p>耐高温按标准QC/T413-2002 4.10.1 GB/T2423.1 在 $(+85\pm 2)^\circ\text{C}$ 经过8小时后，要求：产品恢复常温后，进行测量。</p>
2	Low Temperature Test 低温试验	<p>According to the standard of QC/T413-2002 4.10.1 GB/T2423.1, after 8hours under $(-40\pm 2)^\circ\text{C}$, request: After the product is in normal temperature, sounder shall be measured.</p> <p>耐低温按标准QC/T413-2002 4.10.1 GB/T2423.1 在 $(-40\pm 2)^\circ\text{C}$ 经过8小时后，要求：产品恢复常温后，进行测量。</p>
3	Humidity Test 潮湿试验	<p>After being placed in a chamber with 90 to 95%R.H. at $+40\pm 2$ for 2 h and then being placed in natural condition for 2h , sounder shall be measured.</p> <p>将产品置于湿度为 90-95%R.H, 温度为 $40\pm 2^\circ\text{C}$ 试验箱中 2小时，然后在正常大气压条件下恢复 2小时后，进行测量</p>
4	Shock 耐冲击性	<p>Under acceleration of peak $100\text{m/s}^2(10\text{g})$ & half sine wave pulse (pulse time is 16ms)condition.run into product 1000 times continuously.</p> <p>峰值加速度 $100\text{m/S}^2(10\text{g})$, 脉冲持续时间为 16ms 的半正弦波脉冲对试样连续碰撞 1000 次，测试报警器。</p>

Specification for Electronic Siren	Page	5/9
	Revision No.	1.1
	Drawing No.	KTC419R
Model No. :	KPS-GAM67T-20A-1M-419	

4. Reliability Test

	Item	Specification
5	Drop Test 跌落试验	Siren packed in the carton are dropped in six direction from the height of 100cm to the concrete floor. 跌落高度100cm,6个不同方向整箱跌落到水泥地, 试验后进行测量.
6	Vibration Resistance 振动试验	Siren shall be measured after being applied vibration of amplitude of 1.5mm with 10to 30Hz band of vibration frequency to each of 3 perpendicular directions for 2 hour. 振幅为1.5mm, 频率为10-30Hz,三个不同轴方向各振动2小时, 试验后进行测量.

5. Measurement Block Diagram



Specification for Electronic Siren	Page	6/9
	Revision No.	1.1
Model No. : KPS-GAM67T-20A-1M-419	Drawing No.	KTC419R

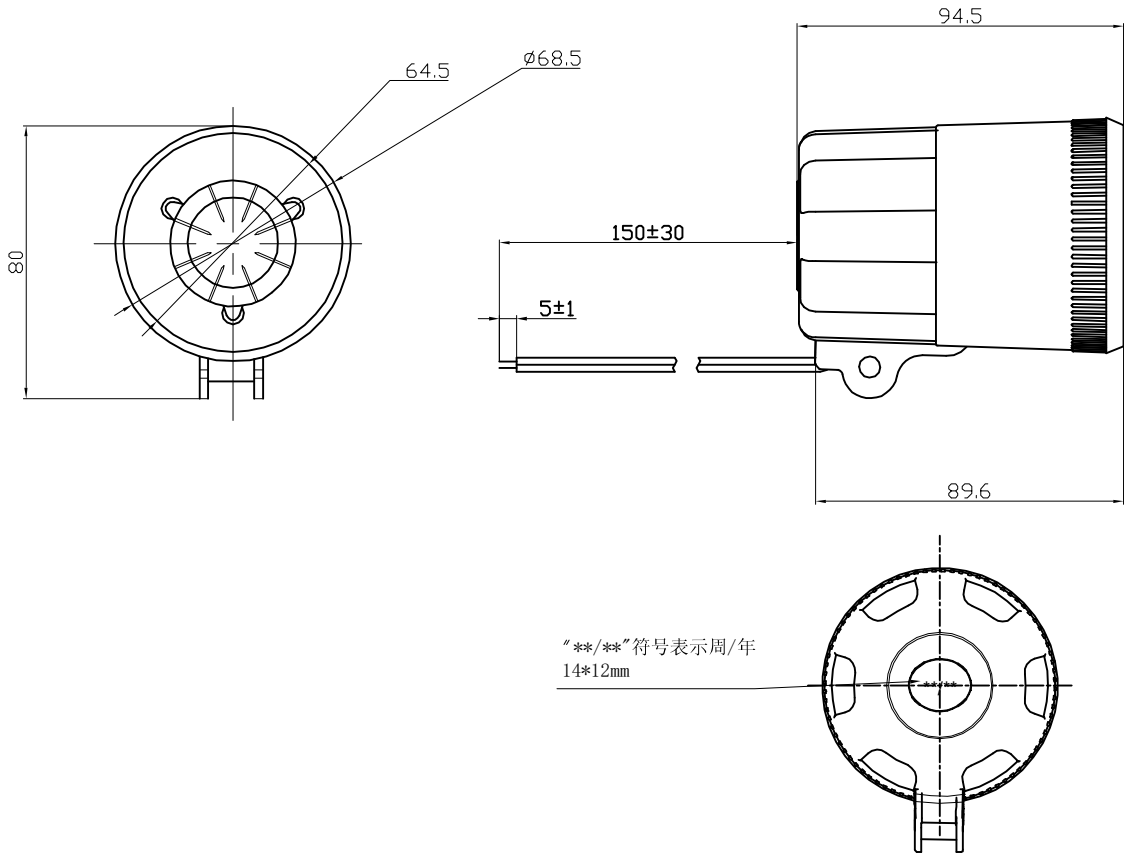
6. Structure



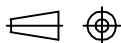
4	Speaker 音头	1	—	
3	PCB 印制板	1	—	
2	Case 壳体	1	ABS	
1	Wire 引线	2	—	
No.	Part Name 型号	Q'TY	Material 材质	Remark 备注

Specification for Electronic Siren	Page	7/9
	Revision No.	1.1
Model No. : KPS-GAM67T-20A-1M-419	Drawing No.	KTC419R

7. Dimensions



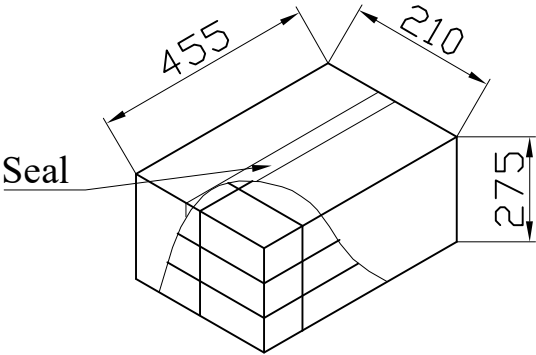
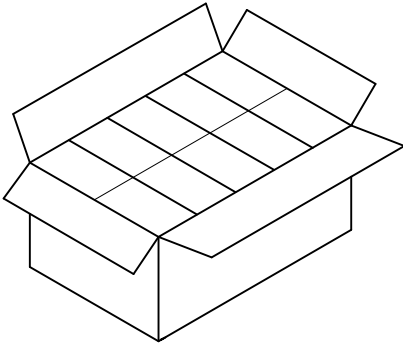
FIRST ANGLE PROJECTION



UNIT : mm
Tolerance : ± 0.5

Specification for Electronic Siren	Page	8/9
	Revision No.	1.1
Model No. : KPS-GAM67T-20A-1M-419	Drawing No.	KTC419R

8. Packing



QTY: 30Pcs
455 x210 x275

Specification for Electronic Siren	Page	9/9
	Revision No.	1.1
Model No. : KPS-GAM67T-20A-1M-419	Drawing No.	KTC419R

9. Revision

Rev. No.	DATE	PAGE	DESCRIPTION	SIGN
1.0	2010.09.24	9	primary	
1.1	2011.03.29	9	更改标贴	