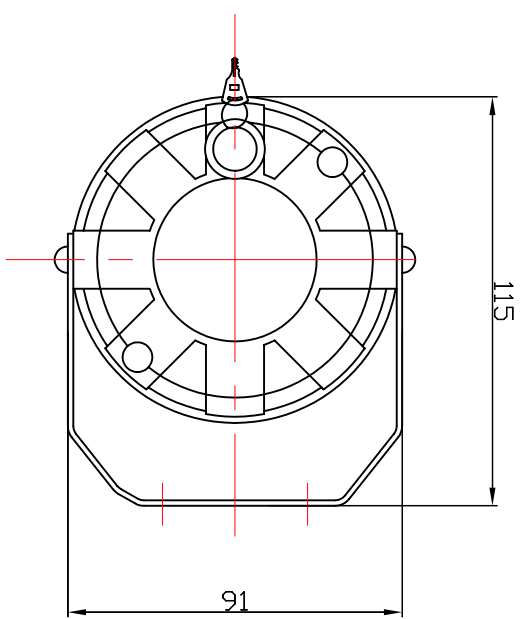
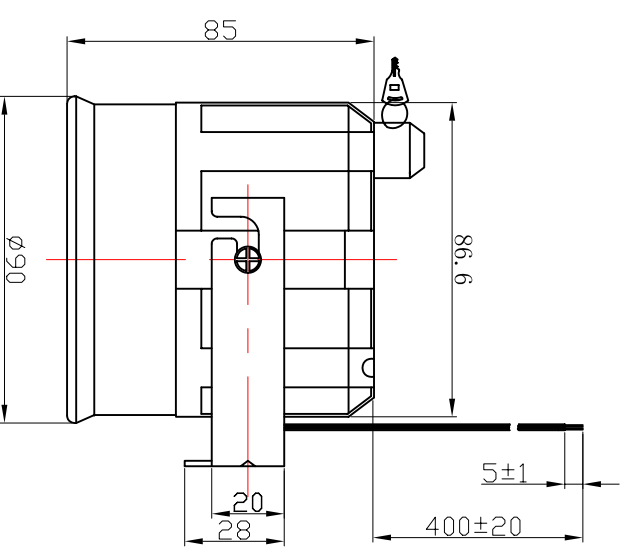


Specification

(Test Condition, 25°C)

1. Housing Material/ Color..... ABS / Black
2. Voice Coil Impedance 6 Ohm (at 1 KHz)
3. Voice Coil Dimension $\varnothing 25.4$ mm(Dia.)
4. Magnet Size $\varnothing 60 \times 32 \times 10$ mm(Dia.* dia.*H)
5. Power Rating RMS 15 W
6. Power Rating Peak 20 W
7. Rated Voltage 12 VDC
8. Range Voltage 6-14 VDC
9. S.P.L. 115 dB ± 3 (at 1 meter, 12VDC)
10. Tone Nature..... 6-TONE
11. Current Draw 1300 mA Max.(at 12 VDC)
12. Load Test 8 Hours (at 12 VDC)
13. Heat Test 8 Hours (at 60°C)
14. Operating Temperature range -20 ~ +60°C
15. Wires Connection Red +12V
 Blue Negative Trigger (-)
 White Positive Trigger (+)
 Black GND
16. Weight 360 \pm 10 g



No.		DESCRIPTION		APPROVED	DATE
TOLERANCES UNLESS NOTED OTHERWISE		APPROVALS		DATE	
XX	±	DRAWN			
XXX	±	CHECKED			
FIRST ANGLE PROJECTION					
UNIT		DWG NO.		SHEET	
mm		KP3.840.439.02		VER. 1.1	
SCALE		NOT TO SCALE			
APPROVED		03.10.24			
KEPO NINGBO KEEP IMPROVING ELECTRONIC CO.,LTD http://www.chinaacoustic.com Electronic Siren KPS-90BG20B-6M					