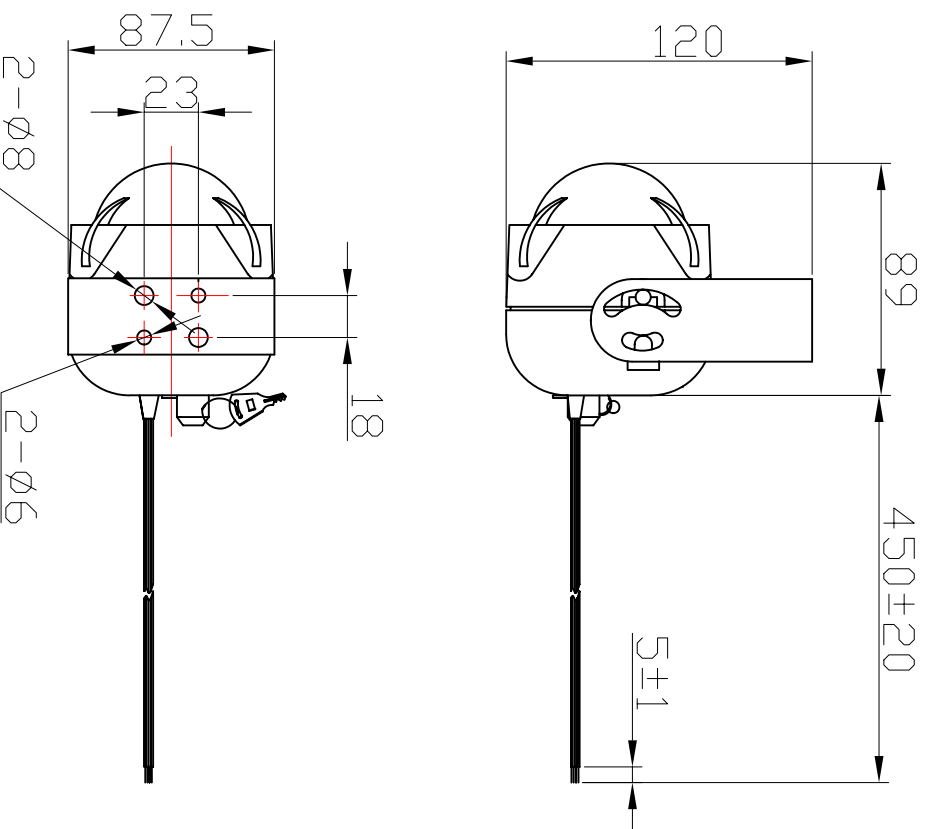


Specification

(Test Condition, 25°C)

1. Housing Material/ Color..... ABS / Black
2. Voice Coil Impedance 6 Ohm (at 1 KHz)
3. Voice Coil Dimension $\varnothing 25.4$ mm(Dia.)
4. Magnet Size $\varnothing 60 \times 32 \times 10$ mm(Dia.* dia.*H)
5. Power Rating RMS 15 W
6. Power Rating Peak 20 W
7. Rated Voltage 12 VDC
8. Range Voltage 6-15 VDC
9. S.P.L. min. 110 dB(at 1 meter, 12VDC)
10. Tone Nature..... 6 Tones
11. Current Draw 1300 mA Max.(at 12 VDC)
12. Load Test 8 Hours (at 12 VDC)
13. Heat Test 8 Hours (at 85°C)
14. Operating Temperature range -20 ~ +85°C
15. Wires Connection Red +12V
Blue Negative Trigger (-)
White Positive Trigger (+)
Black GND
16. Weight 360 \pm 10 g



No.		DESCRIPTION		APPROVED	DATE
TOLERANCES UNLESS NOTED OTHERWISE		APPROVALS		DATE	
XX	±	DRAWN			
XXX	±	CHECKED			
FIRST ANGLE PROJECTION					
DRAWING NO.		SCALE		UNIT	DWG NO.
KPS-82B20B-6M		NOT TO SCALE		mm	KP3.840.425.01
DRAWING NO.		SCALE		UNIT	DWG NO.
KPS-82B20B-6M		NOT TO SCALE		mm	KP3.840.425.01
DRAWING NO.		SCALE		UNIT	DWG NO.
KPS-82B20B-6M		NOT TO SCALE		mm	KP3.840.425.01
DRAWING NO.		SCALE		UNIT	DWG NO.
KPS-82B20B-6M		NOT TO SCALE		mm	KP3.840.425.01
DRAWING NO.		SCALE		UNIT	DWG NO.
KPS-82B20B-6M		NOT TO SCALE		mm	KP3.840.425.01

KEPO NINGBO KEEP IMPROVING ELECTRONIC CO.,LTD
<http://www.chinaacoustic.com>

Electronic Siren
KPS-82B20B-6M

UNIT: mm
 SCALE: NOT TO SCALE
 VER: 1.1