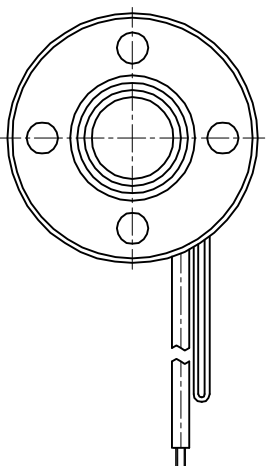
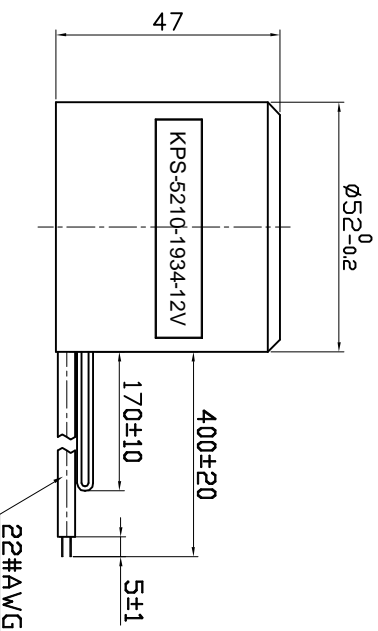


Specification

(Test Condition, 25 °C)

1. Housing Material/ Color ABS / Black
2. Rated Voltage 12VDC
3. Range Voltage 8-15 VDC
4. S.P.L. min. 105dB (at 1 meter, 12VDC)
5. Current Draw 280 mA Max. (at 12 VDC)
6. Tone Nature Siren
7. Load Test 8 Hours (at 12 VDC)
8. Heat Test 8 Hours (at 60 °C)
9. Operating Temperature range -20 ~ +65 °C
10. Wires Connection Red +12V
Black GND
11. Weight 55g ±5 g



No.		DESCRIPTION		APPROVED		DATE	
KPS-5210-1934-12V		ELECTRONIC SIREN		APPROVED		DATE	
DRAWN		CHECKED		APPROVED		DATE	
UNIT		SCALE		DRAWING		SHEET	
mm		NOT TO SCALE		OEM1934		VER 1.0	
KEPO NINGBO KEPO ELECTRONIC CO.,LTD http://www.chinaacoustic.com				Electronic Siren QUARTZ-1LTD KPS-5210-12V-1934			