

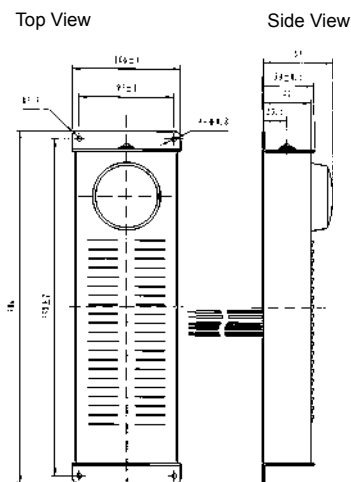
KPS-108F SERIES ALARM

Model No	KPS-108F
Piezo Diaphragm	Two Piezo
Piezo (Dia.)	Ø50 mm
Rated Voltage	12 VDC
Operating Voltage	6~14VDC
Min. S.P. L	115±2 dB at 12VDC/1m
Max. Rated Current	1400mA at 12VDC
Flash Stroble Resonant Frequency	1-2HZ
Tone Nature	Siren
Operating Temperature	-20~+60 °C
Weight	1300±10g



Color White
Metal Housing Material
Lead Terminal

DIMENSIONS



all dimensions are in mm

* Value applying at rated voltage

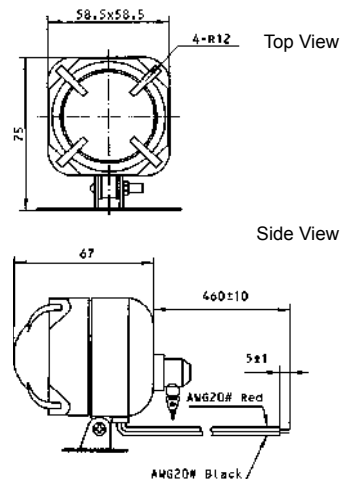
KPS-59BT SERIES BATTERY BACKUP

Model No	KPS-59BT
Voice Coil Impedance	4/8/12 Ohm (at 1 KHz)
Voice Coil Dimension	Ø25.4 mm
Rated Voltage	12 VDC
Operating Voltage	6~14VDC
Output Power	15W/20W
Min. S.P. L	108/110dB (at Rated Voltage at 1 m)
Max. Rated Current	550/750 mA
Tone Nature	Warble/1-Tone/6 -Tone
Operating Temperature	-20~+60 °C
Weight	200±10g



Color Black
ABS Housing Material
Lead Terminal

DIMENSIONS



all dimensions are in mm

* Value applying at rated voltage

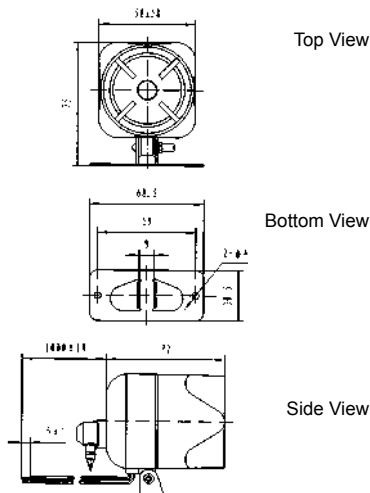
KPS-59BT2 SERIES BATTERY BACKUP

Model No	KPS-59BT2
Voice Coil Impedance	4/8/12 Ohm (at 1 KHz)
Voice Coil Dimension	Ø25.4 mm
Rated Voltage	12 VDC
Operating Voltage	6~14VDC
Output Power	15W/20W
Min. S.P. L	108/110dB at 12VDC/1 m
Max. Rated Current	550/750 mA
Tone Nature	1-Tone/6 -Tone
Operating Temperature	-20~+60 °C
Weight	208g



Color Black
ABS Housing Material
Lead Terminal

DIMENSIONS



all dimensions are in mm

* Value applying at rated voltage

The information contained herein is believed to be correct, but no guarantee for accuracy, completeness KEPO Electronics Ltd. reserves the right to make changes without notification.