

凯普电子

Ningbo Keep Improving Electronics Factory

Engineering laboratory Specification 制 品 规 格 书					
产品型号 : KPR-5400			产品图号 : KP3.840.333		
概述 Scop.	此确认书仅使用压电式声响器 This specification is only used for piezo transducer				
编号 NO.	项目 Items	规格 Specifications			
1	额定电压 Rated Voltage	12Vp-p Square Wave			
2	最大输入电压 Max. Allowable Voltage	30Vp-p Square Wave			
3	额定电流 Max. Rated Current	3mA at 1.0 KHz/12Vp-p Square Wave			
4	额定声压 Min. Sound Pressure Level	75dB at 1.0KHz/12Vp-p Square Wave/30cm			
5	谐振频率 Resonant Frequency	1.0 ± 0.5 KHz			
6	静电容量 Capacitance at 120Hz	50000pF ± 30%			
7	塑壳材料 Case Material	ABS			
8	工作温度 Operating Temperature	- 20~ + 60			
9	贮存温度 Store Temperature	- 30 ~ +70			
10	重量 Weight	15g			
备注 Note:					
设计 Designed By		查核 Checked		承认 Approved By	
日期 :				图号 :	KP3.840.333G

1

2

3

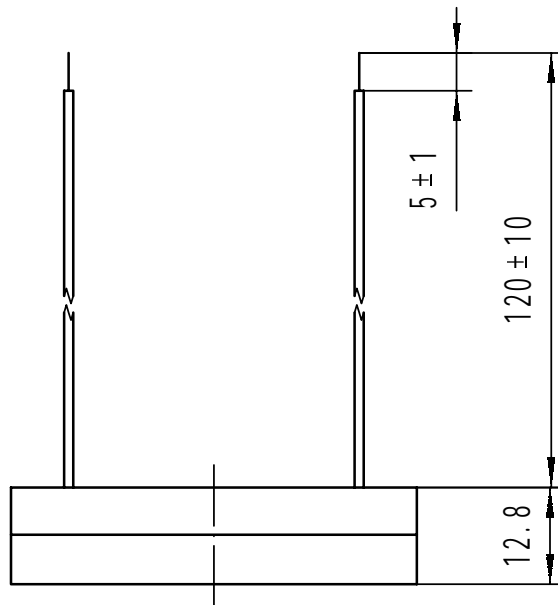
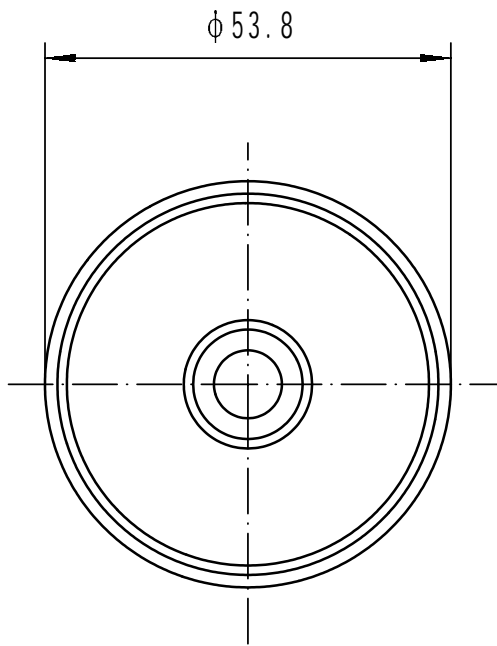
4

A

B

C

D

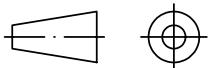


TOLERANCES UNLESS NOTED OTHERWISE

.X ±
.XX ±
.XXX ±

90° FORMED +2°
ANGLES -1°

FIRST ANGLE PROJECTION



	SIGN	DATE	KEPO MODEL NO.	CUSTOMER			
DRAWN		02.07.02	KPR-5400	CUSTOMER NO.			
DESIGN				DWG NO.			
CHECK			KP3.840.333WX	REV	1.0	SHEET	
APPROVED				UNIT:		SCALE	
CONTRACT NO.			KEPO CO. LTD. TEL:(+86)574-88370330 FAX:(+86)574-88370329				
AGENCY APPROVAL							

1

2

3

4