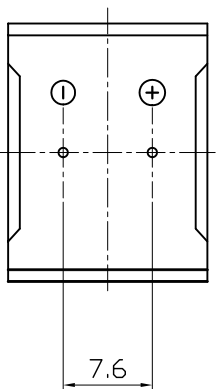
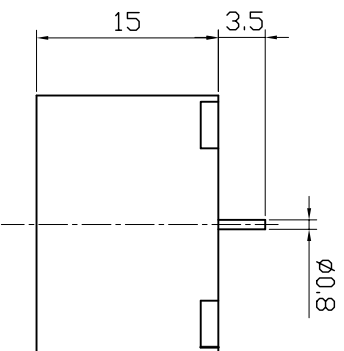
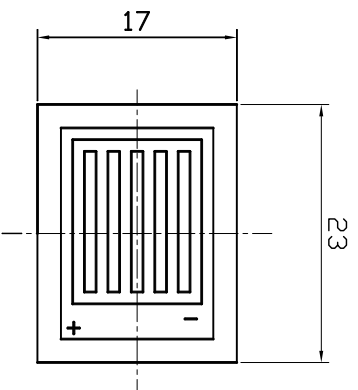


SPECIFICATION

- 1. Rated Voltage 9VDC
- 2. Operating Voltage 6~12VDC
- 3. Max. Rated Current 25mA at 9VDC
- 4. Resonant Frequency 400±100Hz
- 5. Min. Sound Pressure Level..... 75dB at 9VDC/20cm
- 6. Case Material ABS
- 7. Operating Temperature -20~+60℃
- 8. Store Temperature -30~+70℃
- 9. Weight 10g



No.	DESCRIPTION	APPROVED	DATE	<div style="text-align: center;"> KEPO NINGBO KEEP IMPROVING ELECTRONIC CO.,LTD http://www.chinaacoustic.com </div>					
TOLERANCES UNLESS NOTED OTHERWISE		APPROVALS	DATE						
XX ±	DRAWN			UNIT	DWG NO.	KP3.840.635 SHEET VER 1.1			
XXX ±	CHECKED			mm					
90° ANGLES ±°	APPROVED		03.09.01	SCALE					
FIRST ANGLE PROJECTION									