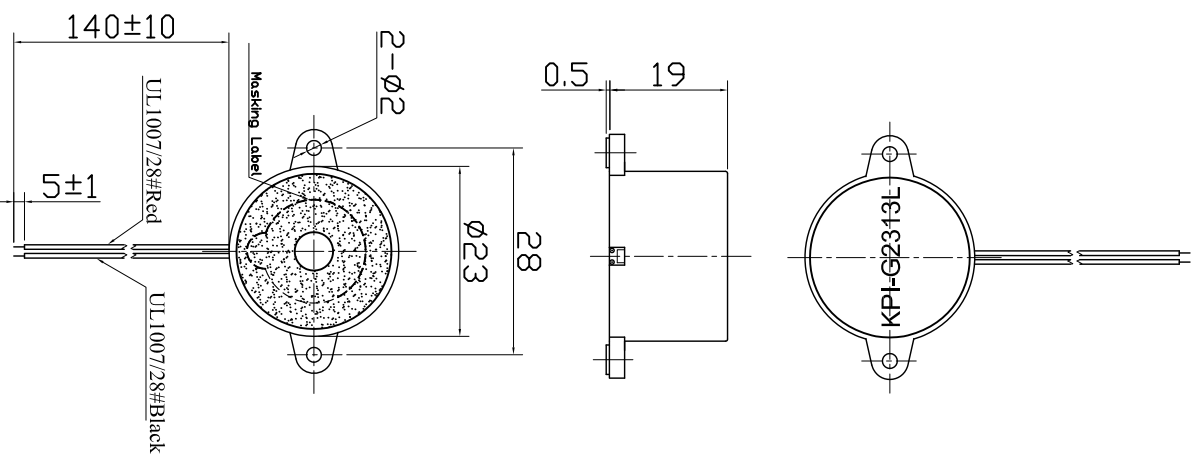


SPECIFICATION

- 1. Rated Voltage12VDC
 - 2. Operating Voltage8~15VDC
 - 3. Max. Rated Current15mA at 12VDC
 - 4. Resonant Frequency3.3±0.5KHz
 - 5. Min. Sound Pressure Level.....88dB at 12VDC/30cm
 - 6. Tone Nature Continuous
 - 7. Case Material ABS
 - 8. Operating Temperature-20~+60℃
 - 9. Store Temperature-30~+70℃
 - 10. Weight8g
- Red(红)..... Positive(+)
 Black(黑)..... Negative(-)



Compliance with ROHS			
KEPO NINGBO KEPO ELECTRONIC CO.,LTD http://www.chinaacoustic.com			
No.	DESCRIPTION	APPROVED	DATE
	Piezo Buzzer KPI-G2313L-1887		10.11.17
<small> 1. DIMENSIONS IN MILLIMETERS X XX ± 90° ANGLES ±2° FIRST ANGLE PROJECTION </small>		DRAWN	DATE
		CHECKED	DATE
		APPROVED	DATE
		梁树梁	10.11.17
UNIT	SCALE	DWG NO.	SHEET
mm	NOT TO SCALE	OEM1887R	VER. 1.0
		QUARTZ-1	