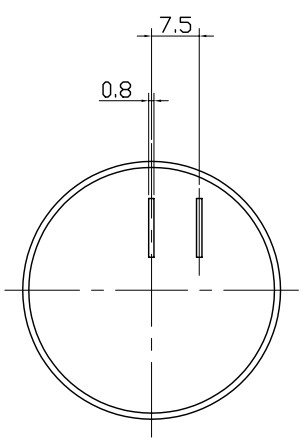
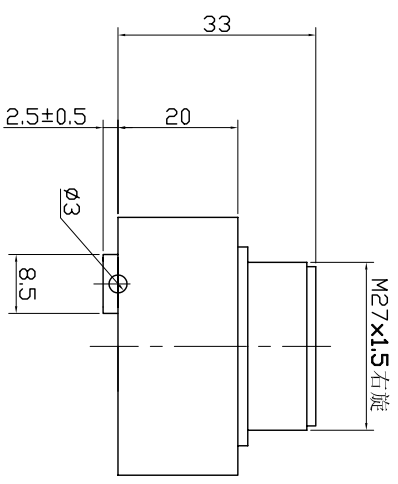
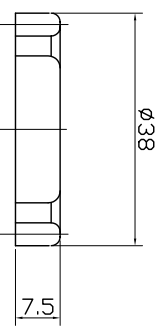
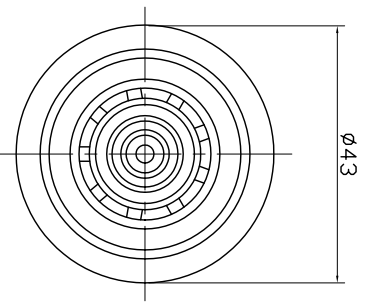


SPECIFICATION

- 1. Rated Voltage 12VDC
- 2. Operating Voltage 6~28VDC
- 3. Max. Rated Current 20mA at 12VDC
- 4. Min. Sound Pressure Level 80dB at 12VDC/60cm
- 5. Tone Nature Fast pulse
- 6. Resonant Frequency 2.9±0.5KHz
- 7. Case Material PC
- 8. Operating Temperature -20~+80°C
- 9. Store Temperature -30~+100°C
- 10. Weight 40g



No.	DESCRIPTION	APPROVED	DATE	
TOLERANCES UNLESS NOTED OTHERWISE		APPROVALS	DATE	
XX ±		DRAWN		
XXX ±		CHECKED		
90° ANGLES ±1°		APPROVED		
FIRST ANGLE PROJECTION			03.10.30	
KEPO NINGBO KEEP IMPROVING ELECTRONIC CO.,LTD http://www.chinaacoustic.com				
Piezo Buzzer KPL-4312P25				
UNIT	DWG NO.	K P 3 . 8 4 0 . 0 3 1		
mm		SHEET		VER 1.0
SCALE		NOT TO SCALE		