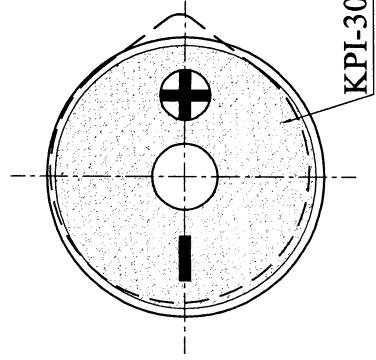
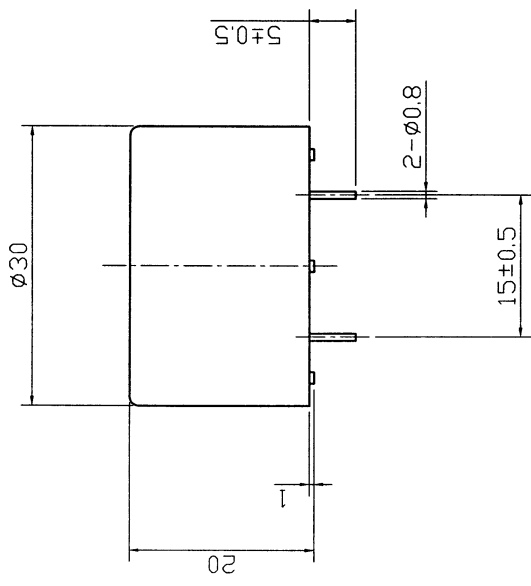
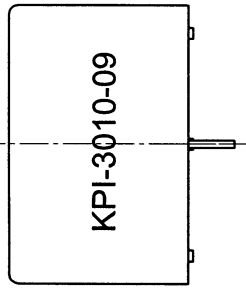


1 2 3 4 5 6 7 8

A B C D E F

# SPECIFICATION

- 1. Rated Voltage .....9VDC
- 2. Operating Voltage .....6~15VDC
- 3. Max. Rated Current .....25mA/9VDC
- 4. Resonant Frequency .....3.9±0.5KHz
- 5. Min. Sound Pressure Level.....88dB at 9VDC/30cm
- 6. Tone Nature .....Continuous
- 7. Shell Material/Color .....PC/Black
- 8. Operating Temperature .....-20~+80°C
- 9. Store Temperature .....-30~+100°C
- 10. Weight .....8g



KEPO NINGBO KEPO ELECTRONIC CO.,LTD http://www.chinaacoustic.com		Piezo Buzzer Quartz-1		KPI-3010-09	
No.	DESCRIPTION	APPROVED	DATE	UNIT	SCALE
				mm	NOT TO SCALE
TOLERANCES UNLESS NOTED OTHERWISE		APPROVALS		DWG NO.	OEM2951
XX	XX				
W	ANGLES	CHECKED	DATE	SCALE	VER 1.1
FIRST ANGLE PROJECTION		APPROVED	08.07.10		