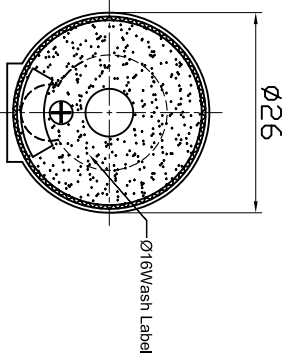
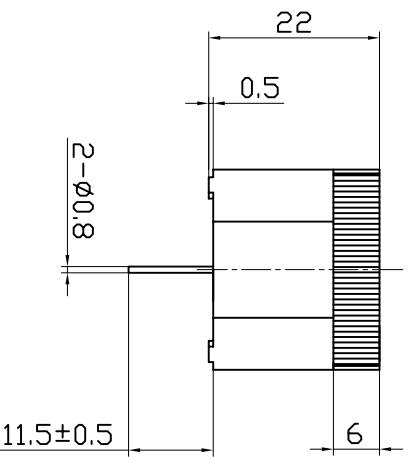
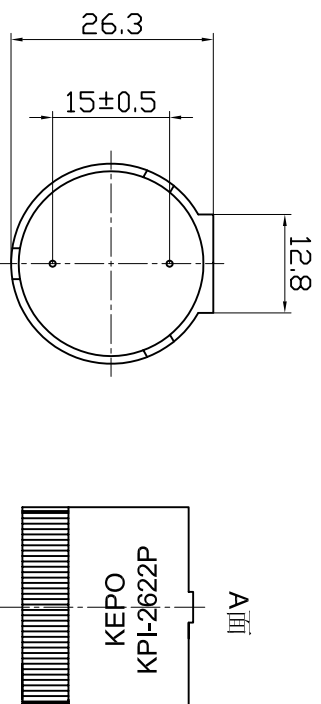


# SPECIFICATION

1. Rated Voltage ..... 12VDC
2. Operating Voltage ..... 6~18VDC
3. Max. Rated Current ..... 25mA at 12VDC
4. Min. Sound Pressure Level ..... 92dB at 12VDC/30cm
5. Resonant Frequency ..... 2.9±0.5KHz
6. Tone Nature ..... Continuous
7. Case Material / Color ..... PBT/Black
8. Operating Temperature ..... -20~+80°C
9. Store Temperature ..... -30~+100°C
10. Weight ..... 12g



A  
B  
C  
D  
E  
F

1 2 3 4 5 6 7 8

No.	DESCRIPTION	APPROVED	DATE	<b>KEPO</b> NINGBO KEPO ELECTRONIC CO.,LTD <a href="http://www.chinaacoustic.com">http://www.chinaacoustic.com</a>
<small>FOR THE CUSTOMERS' USE ONLY          THE DRAWING IS THE PROPERTY OF KEPO ELECTRONIC CO.,LTD.          XX #          90° FORMED ±2°          FIRST ANGLE PROJECTION</small>		APPROVALS	DATE	
		DRAWN		
		CHECKED		UNIT
		APPROVED		SCALE
			08.07.10	NOT TO SCALE
				DWG NO.
				OEM2928
				SHEET
				VER 1.1

Piezo Buzzer Quartz-1  
KPI-2622P

F  
E  
D  
C  
B  
A