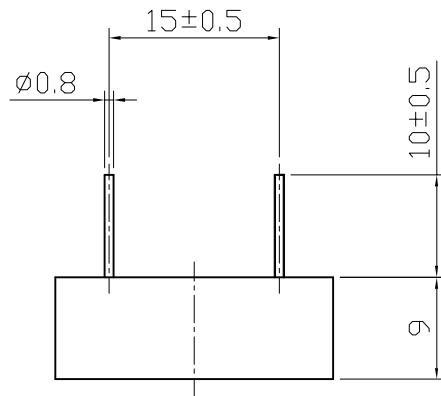


SPECIFICATION

- 1. Rated Voltage12VDC
- 2. Operating Voltage3~30VDC
- 3. Max. Rated Current12mA at 12VDC
- 4. Resonant Frequency3.6±0.5KHz
- 5. Min. Sound Pressure Level.....75dB at 12VDC/30cm
- 6. Tone NatureContinuous
- 7. Case MaterialPBT
- 8. Operating Temperature-20~+80°C
- 9. Store Temperature-30~+100°C
- 10. Weight6g



| | | | | |
|--|--|-------------|---|----------|
| | | | KEPO NINGBO KEPP IMPROVING ELECTRONIC CO.,LTD http://www.chinaacoustic.com | |
| No. | | DESCRIPTION | APPROVED | DATE |
| | | | | |
| <small>TOLERANCES UNLESS NOTED OTHERWISE: X ± .XX ± .XXX ± 90° FORMED ±2° ANGLES ±1°</small> | | APPROVALS | | DATE |
| | | DRAWN | | |
| <small>FIRST ANGLE PROJECTION</small> | | CHECKED | | |
| | | APPROVED | | 07.04.24 |
| | | UNIT | DWG NO. | |
| | | mm | OEM902 | |
| | | SCALE | NOT TO SCALE | SHEET |
| | | | | VER 1.2 |