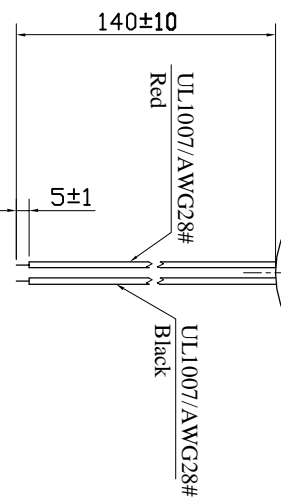
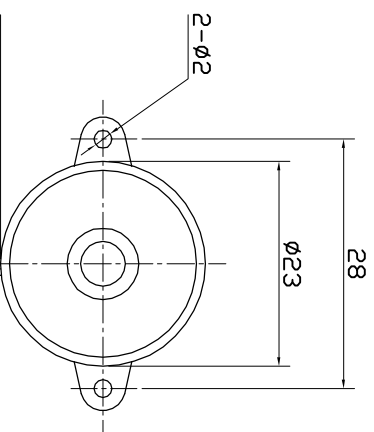
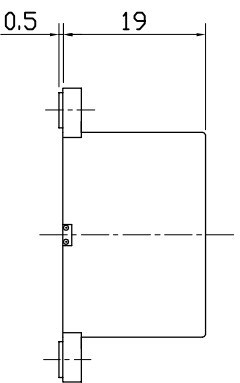


SPECIFICATION



- 1. Rated Voltage 24VDC
 - 2. Operating Voltage 20~28VDC
 - 3. Max. Rated Current 20mA at 24VDC
 - 4. Resonant Frequency 3.1±0.5KHz
 - 5. Min. Sound Pressure Level..... 88dB at 24VDC/30cm
 - 6. Tone Nature Continuous
 - 7. Case Material ABS
 - 8. Operating Temperature -20~+60℃
 - 9. Store Temperature -30~+70℃
 - 10. Weight 8g
- Red(红)..... Positive(+)
 Black(黑)..... Negative(-)

KEPO NINGBO KEPO ELECTRONIC CO.,LTD http://www.chinaacoustic.com													
<table border="1" style="width: 100%; border-collapse: collapse;"> <tr> <th style="width: 50%;">No.</th> <th style="width: 50%;">DESCRIPTION</th> </tr> <tr> <td> </td> <td> </td> </tr> <tr> <td> </td> <td> </td> </tr> </table>	No.	DESCRIPTION					<table border="1" style="width: 100%; border-collapse: collapse;"> <tr> <th style="width: 50%;">APPROVED</th> <th style="width: 50%;">DATE</th> </tr> <tr> <td> </td> <td> </td> </tr> <tr> <td> </td> <td> </td> </tr> </table>	APPROVED	DATE				
No.	DESCRIPTION												
APPROVED	DATE												
Pizeo Buzzer KP1-2314L													
<table border="1" style="width: 100%; border-collapse: collapse;"> <tr> <th style="width: 50%;">DRAWN</th> <th style="width: 50%;">CHECKED</th> </tr> <tr> <td> </td> <td> </td> </tr> <tr> <td> </td> <td> </td> </tr> </table>	DRAWN	CHECKED					<table border="1" style="width: 100%; border-collapse: collapse;"> <tr> <th style="width: 50%;">APPROVALS</th> <th style="width: 50%;">DATE</th> </tr> <tr> <td> </td> <td> </td> </tr> <tr> <td> </td> <td> </td> </tr> </table>	APPROVALS	DATE				
DRAWN	CHECKED												
APPROVALS	DATE												
UNIT: mm SCALE: NOT TO SCALE													
DWGNO: KP3,840,076 SHEET: 1/2 VER: 1.2													

A	1	2	3	4	5	6	7	8																																				
B																																												
C																																												
D																																												
E	<ul style="list-style-type: none"> 1. Rated Voltage 24VDC 2. Operating Voltage 20~28VDC 3. Max. Rated Current 20mA at 24VDC 4. Resonant Frequency 3.1±0.5KHz 5. Min. Sound Pressure Level..... 88dB at 24VDC/30cm 6. Tone Nature Continuous 7. Case Material ABS 8. Operating Temperature -20~+60℃ 9. Store Temperature -30~+70℃ 10. Weight 8g <p> Red(红)..... Positive(+) Black(黑)..... Negative(-) </p>																																											
F	<table border="1" style="width: 100%; border-collapse: collapse;"> <tr> <td colspan="2" style="text-align: center;">KEPO NINGBO KEPO ELECTRONIC CO.,LTD http://www.chinaacoustic.com</td> </tr> <tr> <td style="width: 50%;"> <table border="1" style="width: 100%; border-collapse: collapse;"> <tr> <th style="width: 50%;">No.</th> <th style="width: 50%;">DESCRIPTION</th> </tr> <tr> <td> </td> <td> </td> </tr> <tr> <td> </td> <td> </td> </tr> </table> </td> <td style="width: 50%;"> <table border="1" style="width: 100%; border-collapse: collapse;"> <tr> <th style="width: 50%;">APPROVED</th> <th style="width: 50%;">DATE</th> </tr> <tr> <td> </td> <td> </td> </tr> <tr> <td> </td> <td> </td> </tr> </table> </td> </tr> <tr> <td colspan="2" style="text-align: center;"> Pizeo Buzzer KP1-2314L </td> </tr> <tr> <td style="width: 50%;"> <table border="1" style="width: 100%; border-collapse: collapse;"> <tr> <th style="width: 50%;">DRAWN</th> <th style="width: 50%;">CHECKED</th> </tr> <tr> <td> </td> <td> </td> </tr> <tr> <td> </td> <td> </td> </tr> </table> </td> <td style="width: 50%;"> <table border="1" style="width: 100%; border-collapse: collapse;"> <tr> <th style="width: 50%;">APPROVALS</th> <th style="width: 50%;">DATE</th> </tr> <tr> <td> </td> <td> </td> </tr> <tr> <td> </td> <td> </td> </tr> </table> </td> </tr> <tr> <td colspan="2" style="text-align: center;"> UNIT: mm SCALE: NOT TO SCALE </td> </tr> <tr> <td colspan="2" style="text-align: center;"> DWGNO: KP3,840,076 SHEET: 1/2 VER: 1.2 </td> </tr> </table>								KEPO NINGBO KEPO ELECTRONIC CO.,LTD http://www.chinaacoustic.com		<table border="1" style="width: 100%; border-collapse: collapse;"> <tr> <th style="width: 50%;">No.</th> <th style="width: 50%;">DESCRIPTION</th> </tr> <tr> <td> </td> <td> </td> </tr> <tr> <td> </td> <td> </td> </tr> </table>	No.	DESCRIPTION					<table border="1" style="width: 100%; border-collapse: collapse;"> <tr> <th style="width: 50%;">APPROVED</th> <th style="width: 50%;">DATE</th> </tr> <tr> <td> </td> <td> </td> </tr> <tr> <td> </td> <td> </td> </tr> </table>	APPROVED	DATE					Pizeo Buzzer KP1-2314L		<table border="1" style="width: 100%; border-collapse: collapse;"> <tr> <th style="width: 50%;">DRAWN</th> <th style="width: 50%;">CHECKED</th> </tr> <tr> <td> </td> <td> </td> </tr> <tr> <td> </td> <td> </td> </tr> </table>	DRAWN	CHECKED					<table border="1" style="width: 100%; border-collapse: collapse;"> <tr> <th style="width: 50%;">APPROVALS</th> <th style="width: 50%;">DATE</th> </tr> <tr> <td> </td> <td> </td> </tr> <tr> <td> </td> <td> </td> </tr> </table>	APPROVALS	DATE					UNIT: mm SCALE: NOT TO SCALE		DWGNO: KP3,840,076 SHEET: 1/2 VER: 1.2	
KEPO NINGBO KEPO ELECTRONIC CO.,LTD http://www.chinaacoustic.com																																												
<table border="1" style="width: 100%; border-collapse: collapse;"> <tr> <th style="width: 50%;">No.</th> <th style="width: 50%;">DESCRIPTION</th> </tr> <tr> <td> </td> <td> </td> </tr> <tr> <td> </td> <td> </td> </tr> </table>	No.	DESCRIPTION					<table border="1" style="width: 100%; border-collapse: collapse;"> <tr> <th style="width: 50%;">APPROVED</th> <th style="width: 50%;">DATE</th> </tr> <tr> <td> </td> <td> </td> </tr> <tr> <td> </td> <td> </td> </tr> </table>	APPROVED	DATE																																			
No.	DESCRIPTION																																											
APPROVED	DATE																																											
Pizeo Buzzer KP1-2314L																																												
<table border="1" style="width: 100%; border-collapse: collapse;"> <tr> <th style="width: 50%;">DRAWN</th> <th style="width: 50%;">CHECKED</th> </tr> <tr> <td> </td> <td> </td> </tr> <tr> <td> </td> <td> </td> </tr> </table>	DRAWN	CHECKED					<table border="1" style="width: 100%; border-collapse: collapse;"> <tr> <th style="width: 50%;">APPROVALS</th> <th style="width: 50%;">DATE</th> </tr> <tr> <td> </td> <td> </td> </tr> <tr> <td> </td> <td> </td> </tr> </table>	APPROVALS	DATE																																			
DRAWN	CHECKED																																											
APPROVALS	DATE																																											
UNIT: mm SCALE: NOT TO SCALE																																												
DWGNO: KP3,840,076 SHEET: 1/2 VER: 1.2																																												