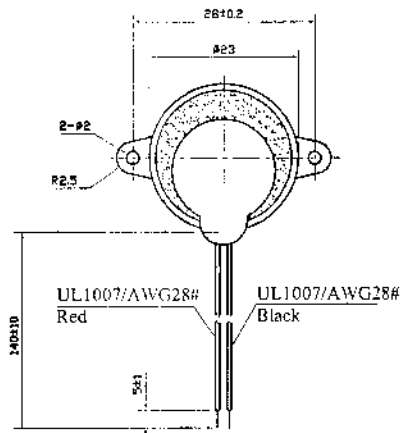
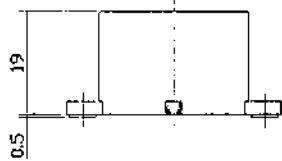
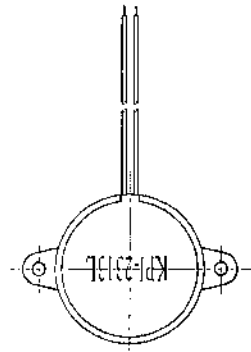


# SPECIFICATION



- |                                   |                    |
|-----------------------------------|--------------------|
| 1. Rated Voltage .....            | 12VDC              |
| 2. Operating Voltage .....        | 8~15VDC            |
| 3. Max. Rated Current .....       | 15mA at 12VDC      |
| 4. Resonant Frequency .....       | 3.3±0.5KHz         |
| 5. Min. Sound Pressure Level..... | 88dB at 12VDC/30cm |
| 6. Tone Nature .....              | Continuous         |
| 7. Case Material .....            | ABS                |
| 8. Operating Temperature .....    | -20~+60°C          |
| 9. Store Temperature .....        | -30~+70°C          |
| 10. Weight .....                  | 8g                 |
| Red(红).....                       | Positive(+)        |
| Black(黑).....                     | Negative(-)        |

		<b>KEPO</b> NINGBO KEPO ELECTRONIC CO.,LTD <a href="http://www.chinaacoustic.com">http://www.chinaacoustic.com</a>	
Pizeo Buzzer QUARTZ-I LTD KPI-2313L-1887			
No.	DESCRIPTION	APPROVED	DATE
(PLEASE USE INK OR BLUE INK) DRAWN		DATE	
CHECKED		DATE	
APPROVED		DATE	
UNIT		DWG. NO.	
mm		OEM1887	
SCALE		SHEET	
NOT TO SCALE		1/2	