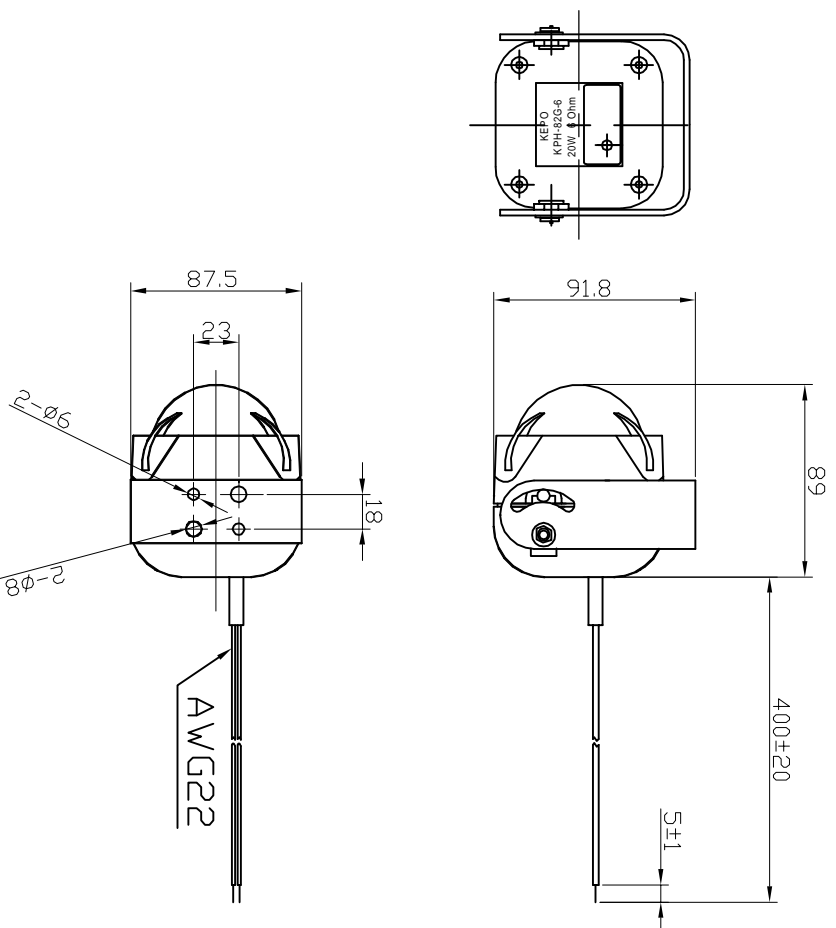


Specification

(Test Condition, 25°C)



- 1. Housing Material/Color ABS/Black
- 2. Voice Coil Impedance 6 Ohm
- 3. Voice Coil Dimension Ø 25.4 mm(Dia.)
- 4. Magnet Size Ø60*32*10 mm(Dia.* dia.*H)
- 5. Power Rating RMS 15 W
- 6. Power Rating Peak 20 W
- 7. Frequency Range 800 - 8000Hz
- 8. S.P.L. 102±2 dB(at 1 meter, 1W, 1KHz)
- 9. Heat Test 8 Hours (at 60°C)
- 10. Operating Temperature Range -20 ~ +60°C
- 11. Wires Connection Black,white (Non-polarized)
- 12. Weight 365 ±10 g

		KEPO NINGBO KEPO ELECTRONIC CO., LTD. http://www.chinaacoustic.com	
Electronic horn KPH-82G-6		KP3,840,473	
No.	DESCRIPTION	APPROVED	DATE
<small>NO. OF REVISIONS</small> X * XX * XXX * 90° FORNHE 2° * <small>UNIT: mm</small>		<small>DRAWN</small> <small>CHECKED</small> <small>APPROVED</small>	<small>DATE</small>
<small>UNIT: mm</small> <small>SCALE: NOT TO SCALE</small>		<small>DATE: 06.10.23</small>	
<small>TEST: NONE</small>		<small>SHEET: 1/2</small>	