

KPH-128 SERIES HORN SPEAKER

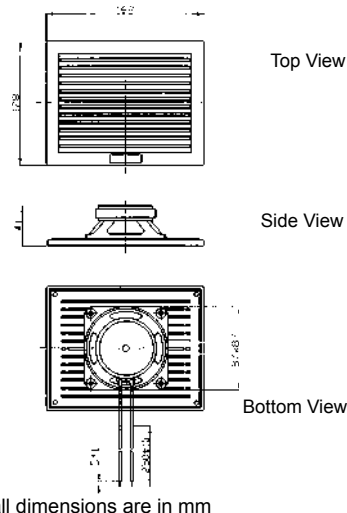
Model No	KPH-128
Impedance	4/8/12 Ohm (at 1 KHz)
Voice Coil Dia.	Ø20mm
Magnet Size	60 x 32 x 8mm
Resonant Freq.	Fo. 1.5KHz±10%
Power Rating	10W RMS
Freq.Resp.	600~6000Hz
Min. S.P.L.	95±3dB(at 1m/2.83V/500~6000Hz)
Operating Temp.	-20~+60 °C
Weight	344g±10g

* Value applying at rated voltage



Color White
ABS Housing Material
Lead Terminal

DIMENSIONS



KPH-135C SERIES HORN SPEAKER

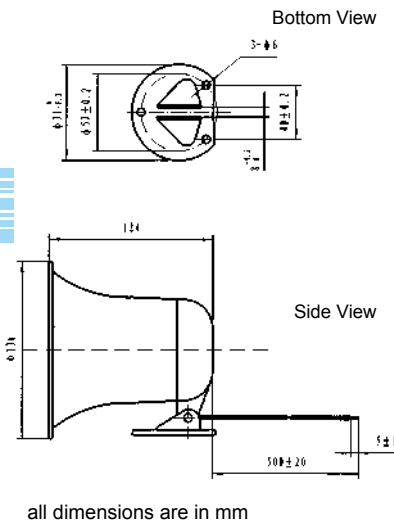
Model No	KPH-135C
Impedance	4/8/12 Ohm (at 1 KHz)
Voice Coil Dia.	Ø25.4mm
Magnet Size	60 x 32 x 10mm
Resonant Freq.	Fo. 1.5KHz±10%
Power Rating	10W RMS
Freq.Resp.	350~7000Hz
Min. S.P.L.	103±3dB(at 1m/2.83V/1KHz)
Operating Temp.	-20~+60 °C
Weight	360g±10g

* Value applying at rated voltage



Color white
ABS Housing Material
Lead Terminal

DIMENSIONS



KPH-51GK SERIES HORN SPEAKER

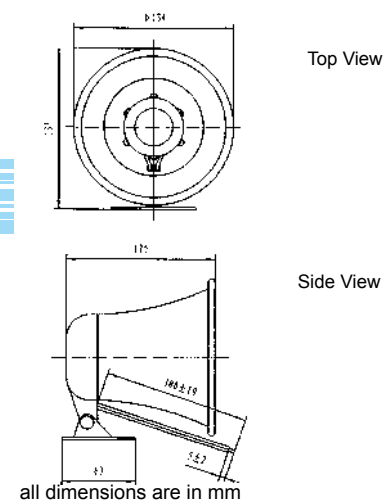
Model No	KPH-51GK
Impedance	4/8/12 Ohm (at 1 KHz)
Voice Coil Dia.	Ø25.4MM
Magnet Size	60 x 32 x 10MM
Resonant Freq.	Fo. 1.5KHz±10%
Power Rating	10W RMS
Freq.Resp.	400~7000Hz
Min. S.P.L.	104dB(at 1m/1W/1KHz)
Operating Temp.	-20~+60 °C
Weight	445±10g

* Value applying at rated voltage



Color Golden
ABS Housing Material
Lead Terminal

DIMENSIONS

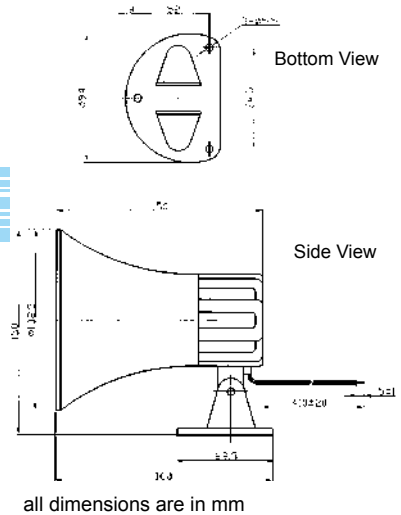


The information contained herein is believed to be correct, but no guarantee for accuracy, completeness KEPO Electronics Ltd. reserves the right to make changes without notification.

KPH-200T SERIES HORN SPEAKER



DIMENSIONS



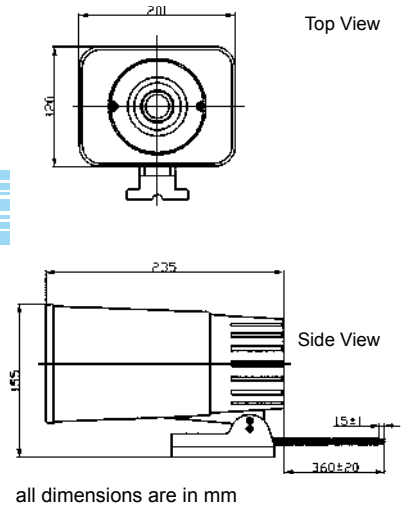
Model No	KPH-200T
Impedance	4/8/12 Ohm (at 1 KHz)
Voice Coil Dia.	Ø25.4mm
Magnet Size	60 x 32 x 10mm
Resonant Freq.	Fo. 1.5KHz±10%
Power Rating	15W RMS
Freq.Resp.	500~8000Hz
Min.S.P.L.	105dB(at 1m/2.83V/1KHz)
Operating Temp.	-20~+60 °C
Weight	365g±10g

* Value applying at rated voltage

Color white
ABS Housing Material
Lead Terminal

KPH-210R SERIES HORN SPEAKER

DIMENSIONS



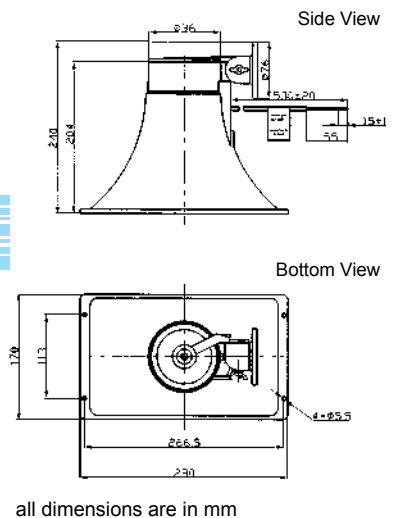
Model No	KPH-210R
Impedance	4/8/12 Ohm (at 1 KHz)
Voice Coil Dia.	Ø33mm
Magnet Size	80 x 40 x 12mm
Resonant Freq.	Fo. 1.5KHz±10%
Power Rating	20W RMS
Freq.Resp.	800~8000Hz
Min.S.P.L.	105dB(at 1m/2.83V/1KHz)
Operating Temp.	-20~+60 °C
Weight	1050g±10g

* Value applying at rated voltage

Color white
ABS Housing Material
Lead Terminal

KPH-280 SERIES HORN SPEAKER

DIMENSIONS



Model No	KPH-280
Impedance	4/8/12 Ohm (at 1 KHz)
Voice Coil Dia.	Ø38mm
Magnet Size	90 x 45 x 15mm
Resonant Freq.	Fo. 1.5KHz±10%
Power Rating	30W RMS
Freq.Resp.	600~6000Hz
Min. S.P.L.	110±3dB(at 1m/2.83V/1KHz)
Operating Temp.	-20~+60 °C
Weight	344g±10g

* Value applying at rated voltage

Color White
ABS Housing Material
Lead Terminal

The information contained herein is believed to be correct, but no guarantee for accuracy, completeness KEPO Electronics Ltd. reserves the right to make changes without notification.