

SPECIFICATION

Customer :

Applied To :

Product Name : MIC

Model Name : KPCM-94H65-58dB

Drawing No. : KF3.002.114

Signature of Approval

--

Signature of KEPO

Approved by	Checked by	Issued by	Date



Ningbo Kepo Electronics Co.,Ltd.

*Address: No.25 Baoyuan Road Dongqian Lake Industrial Area
Dongqian Lake, Ningbo315121, China*

Tel: +86(574)88371186, 88370330 Fax: +86(574)88370329

http://www.chinaacoustic.com E-mail: Sales@kepo.com.cn

Specification	Page	2/6
Model No. : KPCM-94H65-58dB	Revision No.	1.0
	Drawing No.	KF3.002.114

CONTENTS

1. Scope
2. General
3. Electrical and Acoustic Characteristics.
4. Reliability Test
5. Measurement Block Diagram & Response curve
6. Dimensions

Specification		Page	3/6
Model No. : KPCM-94H65-58dB		Revision No.	1.0
		Drawing No.	KF3.002.114

1. Scope

This specification is applied to the MIC which is used all of the electrical acoustic product.

-- applications: mobile phone, PDA, notebook computer, etc. ..

2. General

2.1 Out-Diameter : \varnothing 9.4mm

2.2 Height : 6.5mm

2.3 Weight : 0.1 gr.

2.4 Operating Temperature range:

-10~+45 ℃ without loss of function

2.5 Store Temperature range:

-20~+60 ℃ without loss of function

3. Electrical Characteristics.

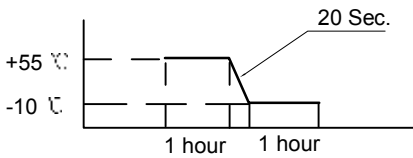
Test condition : 15 ~ 35 ℃, 25% ~ 85% RH, 860~1060 mbar

NO.	Items	Specifications
1	Rated Voltage	4.5V
2	Operating Voltage	1.5V~10V
3	Sensitivity	-58 + 2dB at 1KHz(0dB=1V/ μ bar)
4	Current Consumption	0.5mA Max
5	Frequency	100~16,000Hz
6	S/N Ratio	\geq 60dB
7	Sensitivity Reduction	within-3dB at 1.5V
8	Directivity	Omnidirectional
9	Testing Condition	1000Hz, Vs=2.0V, RL=2.2K Ω
10	Shell Material/Color	AL/Silver
	Note:	

Specification		Page	4/6
Model No. : KPCM-94H65-58dB		Revision No.	1.0
		Drawing No.	KF3.002.114

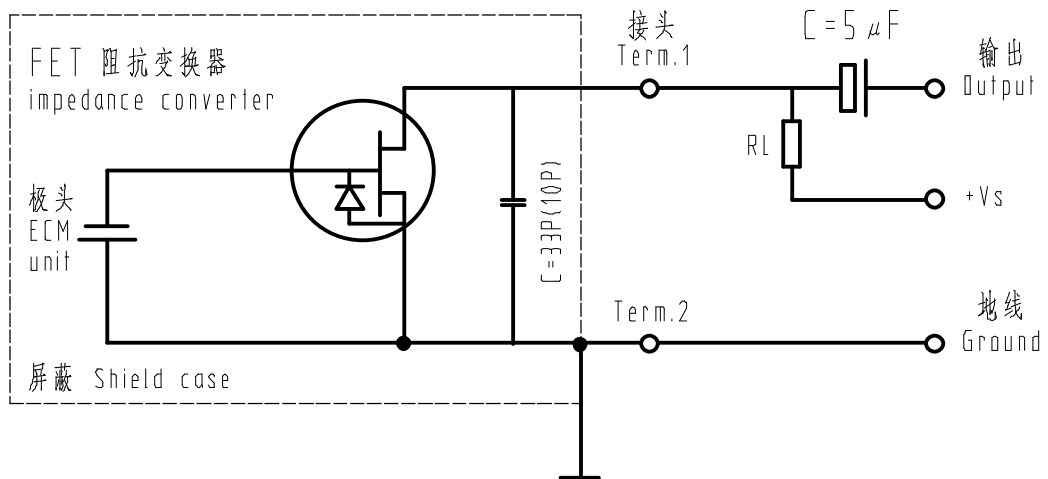
4. Reliability Test

After test(1~7item), the MIC sensitivity to be within +/-3dB from initial sensitivity.

	Item	Specification
1	High Temperature Test	After being placed in a chamber with $+70 \pm 3$ °C for 48hours and then being placed in natural condition for 1 hour
2	Low Temperature Test	After being placed in a chamber with -20 ± 3 °C for 48 hours and then being placed in natural condition for 1 hour
3	Humidity Test	To be no interference in operation after storage test at temperature 60 ± 2 °C and relative humidity ($93 \pm 3\%$) for 48 hours. the sensitivity to be within +/-3dB from initial sensitivity. the test is performed at temperature 20 °C after operation for 6 hours.
4	Thermal Shock Test	<p>After being placed in a chamber at $+55$ °C for 1 hour, then receiver shall be placed in a chamber at -10 °C for 1 hour(1 cycle is the below diagram).</p> <p>After 5above cycles, receiver shall be measured after being placed in natural condition for 1 hour.</p> 
5	Vibration Test	To be no interference in operation after vibration of full amplitude 2mm for 30minutes at five axis
6	Drop Test	To be no interference in operation after dropped to concrete floor each time from 1 meter height of five directions in state of packing
7	Collision Test	After collided with the acceleration 100 ± 10 m/s, at the vertical & horizontal directions for 1000+/-10 times, at the state of packing. Change of sensitivity within +/-3dB from initial.
8		

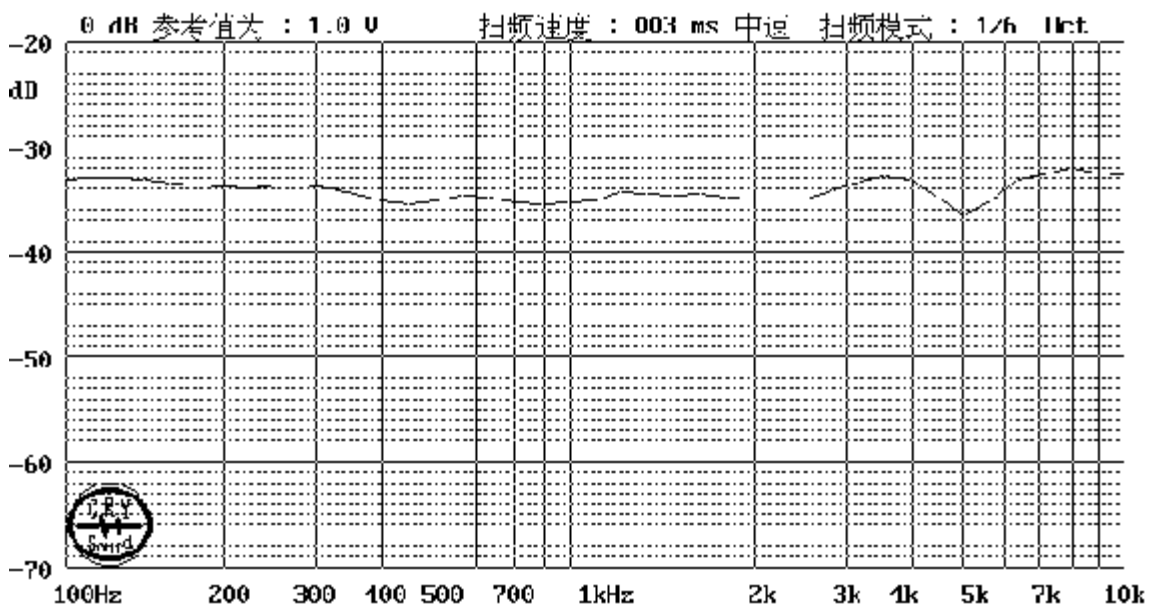
Specification		Page	5/6
Model No. : KPCM-94H65-58dB		Revision No.	1.0
		Drawing No.	KF3.002.114

5. Measurement Circuit (Test Condition VS=2.0V RI=2.2K Ω
Ta=20℃ R.H=65%)



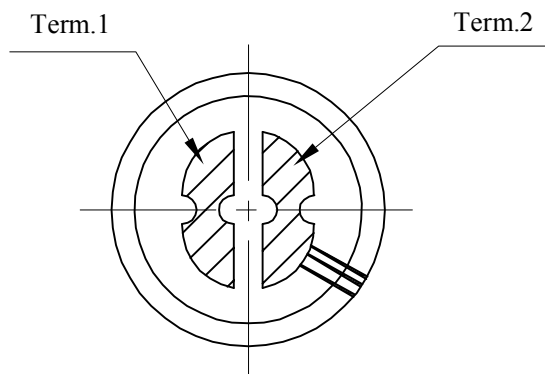
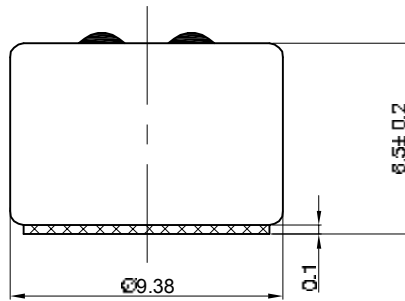
Typical Frequency Response CU+rve

型号: 0 1kHz灵敏度: -035.23 dB A档 1kHz阻抗: 滤波器1次
 电压: 4.50 V → 150Hz灵敏度: _____ dB 无程
 电阻: 2200 Ω 1000Hz灵敏度: 033.30 dB 0 咪头电流I= 181 uA



Specification		Page	6/6
Model No. : KPCM-94H65-58dB		Revision No.	1.0
		Drawing No.	KF3.002.114

7. Dimensions



FIRST ANGLE PROJECTION



UNIT : mm
Tolerance : ± 0.2