

Ultrasonic Transducer Specification

超声波压电换能片规格书

1. 产品型号(Part Model): JYSCP-P44-Ø25XØ10X5
2. 尺寸(Appearance Size): Φ25XΦ10X5mm
3. 电性能参数 (Electrical specification):

项目	Item	Standard
径向谐振频率	Radial Resonant Frequency (Fr)	65±3 KHz
谐振阻抗	Resonant Resistance (Ro)	Max.50Ω
厚向谐振频率	Thickness Resonant Frequency)	422KHz±10KHz
静态电容	Static Capacitance (Cp)	980pF±10%
机械品质因素(Qm)	Mechanical quality factors	≥600
介电损耗 tgv (%)	Dielectric Loss tgv (%)	≤0.5%

4. Test Procedure

- 4.1 Test Atmosphere: 25°C / 80%RH.
- 4.2 Fr and Ro : The HP-4194 Impedance Analyzer.
- 4.3 Cp : LCR meter at 1kHz, 1Vrms

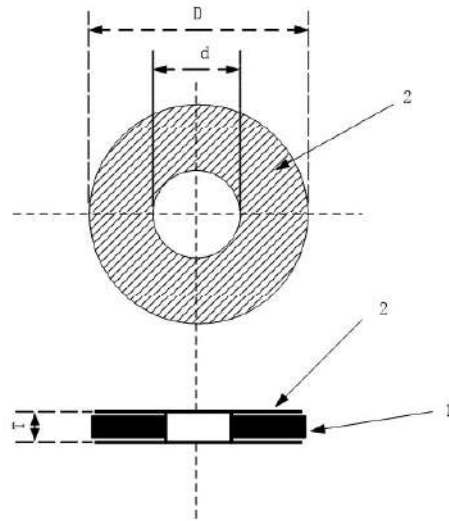
5. Long Term Storage

- 5-1 The transducer shall be stored in factory sealed packages.
- 5-2 The transducer shall not be stored in the following conditions:
 - 1) under severe conditions of vibrations and shocks.
 - 2) under corrosive atmospheres such as hydrogen chloride.
 - 3) Beyond the specified storage temperature range of 5°C to +40°C and maximum humidity of 85%RH.

6. Life of Transducer

- 6-1. the usage electric voltage is a DC12~24 v.
- 6-2. work electric current is 100~300 mA.
- 6-3. Capacitance and Resonant Frequency of the transducer will change in the range ±3% after working more than 5000 hours.

7. Appearance and Dimensions



1	Silver electrode
2	PZT Ceramic
D	External diameter : $25 \pm 0.2 \text{mm}$
d	internal diameter: $10 + 0.3 / - 0.1 \text{mm}$
T	Thickness: $5.0 \pm 0.1 \text{mm}$