

# Ultrasonic Transducer Specification

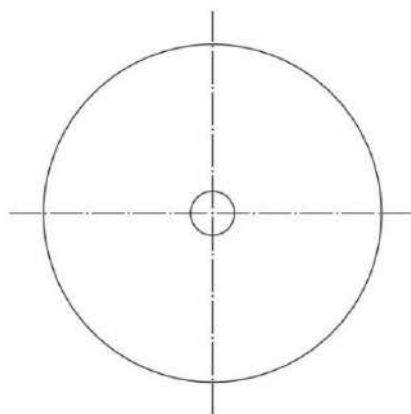
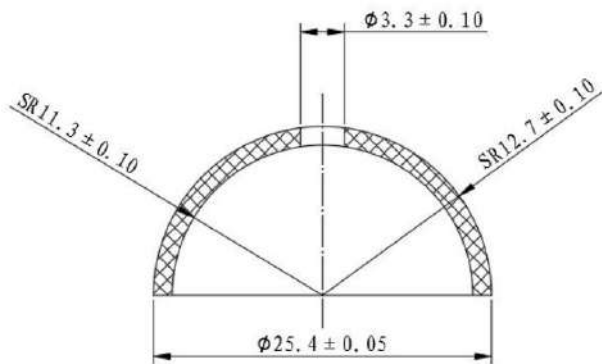
## 超声波压电换能片规格书

1. 产品型号 (Product Model): JYHPSnN-Φ25.4T1.4HΦ3.3-77K
2. 外形尺寸 (Appearance Size): Φ25.4XT1.4-HΦ3.3
3. 材 质 (Ceramic Material): YH-PSnN-5
4. 电性能参数 (Electrical specification):

序号 No.	项目 Item	标准值 Standard Value
1	谐振频率 (Fr) Resonant frequency(Khz)	77±3
2	谐振电阻 (R) Resonant impedance (Ω)	≤50
3	带宽 (Δf) Bandwidth (khz)	≥8.5
4	静态电容 Ct Static Capacitance (pF)	9000±20%

极化十天测试 (The product is tested aging in 10days.)

5. 尺寸和外观 (Dimension and Appearance) , Unit(mm)



) Electrode: Internal Positive  
 ) The flanging electrode leads to the inner wall as shown:

6. 检验规则(Inspection regulation)

检验分为鉴定检验和质量一致性检验，参考 GB/T15 156-2015（压电陶瓷换能元件总规范）的有关要求执行。

There are two kinds of Inspections, one is appraisal and one is inspection of quality conformity, referred to GB/T15 156-2015 the relevant requirements of Piezoelectric Ultrasonic Transducers General Specifications.

7. 包装 (Package)

产品用定制减震材料板包装，密封固定后装入包装箱，箱内空隙处应用气泡膜填充。

The products are packed with the vibration-absorptive materials, sealed and packed into the outside carton. The space in the carton is filled with the Bubble film.

8. 质量条款 (Quality Terms)

① 每批产品交付时应有承制单位签发的合格证和性能测试报告。

The products for each lot have the testing report and the certificate issued.

② 产品的技术状态确定后，若有更改须通知本有限公司。

The product electronic performance is confirmed, so any change should inform us