

规格书编号

SPEC NO :

产品规格书

SPECIFICATION

CUSTOMER 客户: _____

PRODUCT 产品: _____ SAW FILTER _____

MODEL NO 型号: _____ HDMIF389A7Dc SIP5Dc _____

PREPARED 编制: _____ CHECKED 审核: _____

APPROVED 批准: _____ D A T E 日期: _____ 2008-4-9 _____

客户确认 CUSTOMER RECEIVED:		
审核 CHECKED	批准 APPROVED	日期 DATE

无锡市好达电子有限公司
Shoulder Electronics Limited

1.SCOPE

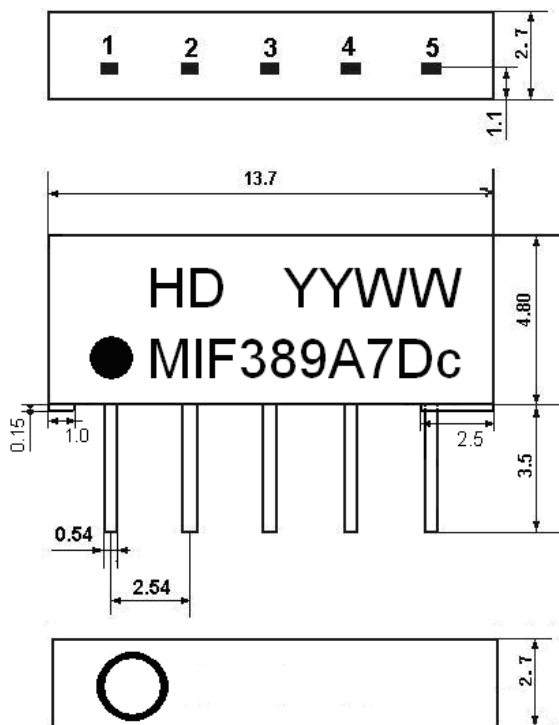
SHOULDER’s SAW filter series have broad line up products meeting all broadcast standard including NTSC,PAL and SECAM systems. These filters are composed of two interdigital transducers on a single-crystal, piezoelectrical chip. they are used in electronic equipments such as TV and so on.

2.Construction

2.1 Dimension and materials

Manufacturer’s name : SHOULDER ELECTRONICS LTD(CHINA)

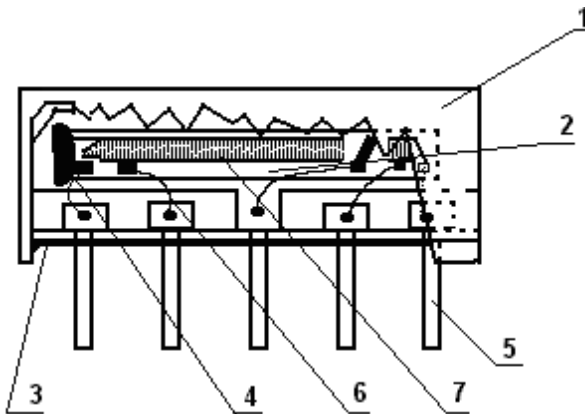
Type : MIF389A7Dc



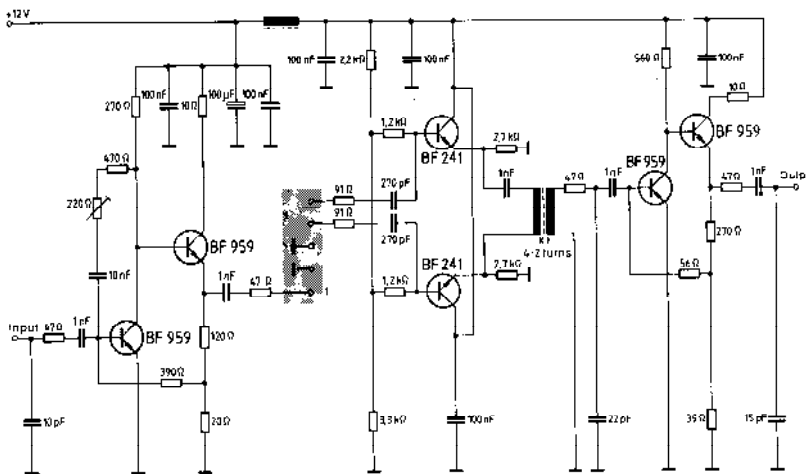
Unit : mm

- 1 Input
- 2 Switching Input
- 3 Chip carrier - ground
- 4 Output
- 5 Output

YY:year
WW:week



Components	Materials
1.Outer casing	PPS
2.Substrate	Lithium niobate
3.Base	Epoxy resin
4.Absorber	Epoxy resin
5.Lead	Cu alloy+Au plate
6.Bonding wire	AlSi alloy
7.Electrode	Al

2.2. Circuit construction, measurement circuit


Test circuit for SIP-5 filter
 Input impedance of the symmetrical post-amplifier: 2 kΩ in parallel with 3 pF

3.Characteristics

Items	Conditions	Specifications
Standard atmospheric conditions	Unless otherwise specified , the standard rang of atmospheric conditions for making measurements and tests is as follows; Ambient temperature : 15°C to 35°C Relative humidity : 25% to 85% Air pressure : 86kPa to 106kPa	There shall be no damage.
Operating temperature rang	Operating temperature rang is the rang of ambient temperatures in which the filter can be operated continuously. -20°C ~ +60°C	
Storage temperature rang	Storage temperature rang is the rang of ambient temperatures at which the filter can be stored without damage. Conditions are as specified elsewhere in these specifications. -40°C ~ +70°C	
Reference temperature	+25°C	

3.1 Maximum Rating

DC voltage	VDC	12	V	Between any terminals
AC voltage	Vpp	10	V	Between any terminals

3.2 Electrical Characteristics
Characteristics in B/G,L/L' mode (switching input pin 2 connected to ground pin 3)

Source impedance

$Z_s=50\ \Omega$

Load impedance

$Z_L=2k\ \Omega //3pF$

$T_A=25^\circ C$

Item	Freq	min	typ	max	
Insertion attenuation Reference level	37.40MHz	15.4	16.9	18.4	dB
Relative attenuation	38.90MHz	4.6	5.6	6.6	dB
	34.47MHz	0.2	1.2	2.2	dB
	32.40MHz	17.7	19.2	20.7	dB
	33.40MHz	16.0	17.5	-	dB
	30.90MHz	46.0	58.0	-	dB
	31.90MHz	38.0	50.0	-	dB
	40.40MHz	41.0	50.0	-	dB
Sidelobe	25.00~30.90MHz	36.0	42.0		dB
	40.40~45.00MHz	33.0	39.0		dB
Reflected wave signal suppression 1.3μs...6.0μs after main pulse (test pulse 250ns carrier frequency 37.40MHz)		42.0	50.0	-	dB
Feedthrough signal suppression 1.2μs...1.1μs before main pulse (test pulse 250ns carrier frequency 37.40MHz)		-	56.0	-	dB
Group delay predistortion (reference frequency 38.90MHz)	36.80 MHz	-	-40	-	ns
	34.47 MHz	-	50	-	ns
Temperature coefficient			-72		ppm/k

Characteristics in M/N mode (switching input pin 2 connected to input pin 1)

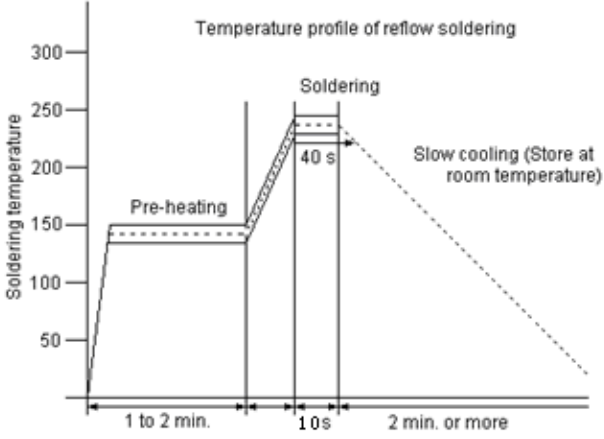
 Source impedance $Z_s=50\ \Omega$

 Load impedance $Z_L=2k\ \Omega //3pF$
 $T_A=25\ ^\circ C$

Item	Freq	min	Typ	max	
Insertion attenuation Reference level	37.40MHz	15.5	17.0	18.5	dB
Relative attenuation	38.90MHz	4.9	5.9	6.9	dB
	35.32MHz	0.8	1.8	2.8	dB
	34.40MHz	17.0	18.5	20.0	dB
	32.90MHz	40.0	52.0	-	dB
	40.40MHz	41.0	49.0	-	dB
Sidelobe	25.00~32.90MHz	36.0	42.0		dB
	40.40~45.00MHz	31.0	37.0		dB
Reflected wave signal suppression 1.3 μ s...6.0 μ s after main pulse (test pulse 250ns carrier frequency 37.40MHz)		42.0	52.0	-	dB
Feedthrough signal suppression 1.2 μ s...1.1 μ s before main pulse (test pulse 250ns carrier frequency 37.40MHz)		-	50.0	-	dB
Group delay ripple (p-p)		-	50	-	ns
Temperature coefficient		-72			ppm/k

3.3 Environmental Performance Characteristics

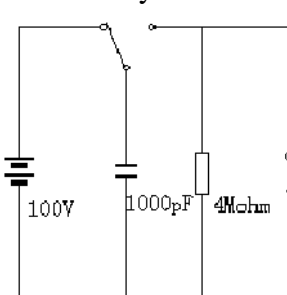
Item	Condition	Specifications
High temperature	The specimen shall be store at a temperature of 80 \pm 2 $^\circ$ C for 96 \pm 4h. Then it shall be subjected to standard atmospheric conditions for 1h, after which measurement shall be made within 1h.	Mechanical characteristics and specifications in electrical characteristics shall be satisfied. There shall be no excessive change in appearance.
Low temperature	The specimen shall be store at a temperature of -20 \pm 3 $^\circ$ C for 96 \pm 4h. Then it shall be subjected to standard atmospheric conditions for 1h, after which measurement shall be made within 1h.	
Humidity	The specimen shall be store at a temperature of 40 \pm 2 $^\circ$ C with relative humidity of 90% to 96% for 96 \pm 4h. Then it shall be subjected to standard atmospheric conditions for 1h, after which measurement shall be made within 1h.	
Thermal	The specimen shall be subjected to 8 continuous	

shock	<p>cycles each as shown below. Then it shall be subjected to standard atmospheric conditions for 1h, after which measurement shall be made within 1h.</p> <table border="1" data-bbox="432 409 1002 707"> <thead> <tr> <th></th> <th>Temperature</th> <th>Duration</th> </tr> </thead> <tbody> <tr> <td>1</td> <td>+25 °C=>-40 °C</td> <td>0.5h</td> </tr> <tr> <td>2</td> <td>-40 °C</td> <td>4h</td> </tr> <tr> <td>3</td> <td>-40 °C=>+85 °C</td> <td>2h</td> </tr> <tr> <td>4</td> <td>+85 °C</td> <td>4h</td> </tr> <tr> <td>5</td> <td>+85 °C=>+25 °C</td> <td>0.5h</td> </tr> <tr> <td>6</td> <td>+25 °C</td> <td>1h</td> </tr> </tbody> </table>		Temperature	Duration	1	+25 °C=>-40 °C	0.5h	2	-40 °C	4h	3	-40 °C=>+85 °C	2h	4	+85 °C	4h	5	+85 °C=>+25 °C	0.5h	6	+25 °C	1h	
	Temperature	Duration																					
1	+25 °C=>-40 °C	0.5h																					
2	-40 °C	4h																					
3	-40 °C=>+85 °C	2h																					
4	+85 °C	4h																					
5	+85 °C=>+25 °C	0.5h																					
6	+25 °C	1h																					
Resistance to Soldering heat	<p>Reflow soldering method Peak: 255 ±5 °C, 220 ±5 °C, 40s At electrode temperature of the specimen.</p>  <p>The specimen shall be passed through the reflow furnace with the condition shown in the above profile for 1 time. The specimen shall be stored at standard atmospheric conditions for 1h, after which the measurement shall be made. Test board shall be 1.6 mm thick. Base material shall be glass fabric base epoxy resin.</p>																						
Solder ability	Immerse the pins melt solder at 260°C+5/-0°C for 5 sec.	More then 95% of total area of the pins should be covered with solder																					

3.4 Mechanical Test

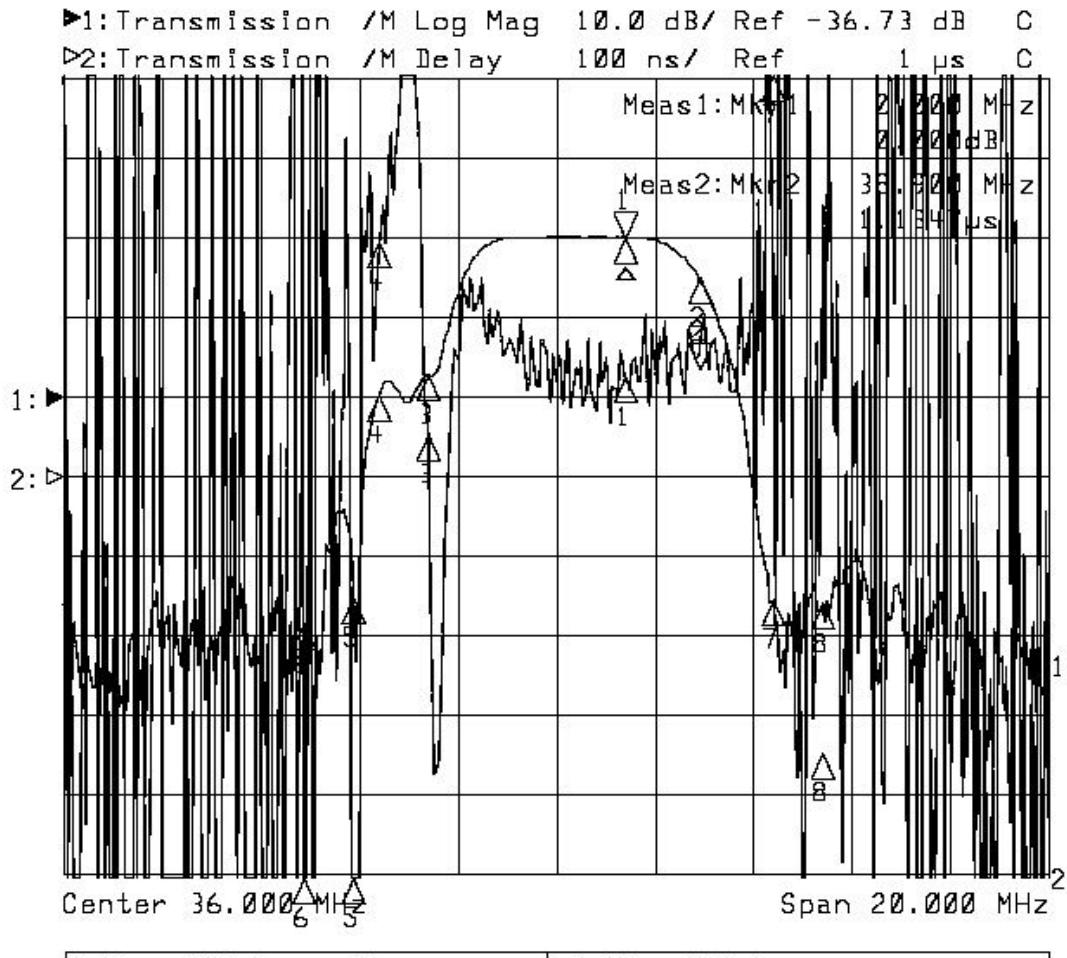
Items	Conditions	Specifications
Vibration	600-3300rpm amplitude 1.5mm 3 directions 2 H each	There shall be no damage.
Drop	On maple plate from 1 m high 3 times	
Lead pull	Pull with 1 kg force for 30 seconds	
Lead bend	90° bending with 500g weigh 2 times	

3.5 Voltage Discharge Test

Item	Condition	Specifications
Surge	Between any two electrode 	There shall be no damage

3.6 Frequency response

Frequency response in D/K, B/G mode



Frequency response in M/N mode

