

# SPECIFICATION

## 1. SCOPE

This specification is applied to the piezo-element.

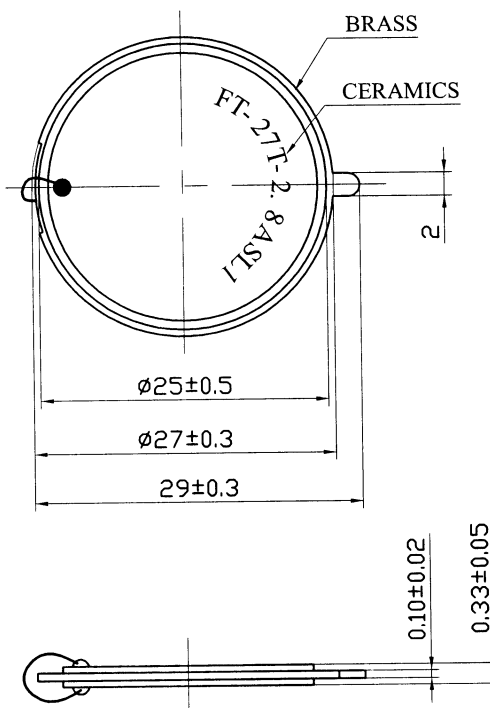
## 2. SPECIFICATION

(at 25°C)

2.1 Resonant Frequency	:	2.8± 0.3 KHz
2.2 Resonant Resistace	:	150 Ω max
2.3 Capacitance	:	130000 pF± 30% at 100Hz
2.4 Input Voltage	:	30 Vp-p max
2.5 Operating Temperature	:	-20~+50°C
2.6 Storage Temperature	:	-20~+60°C

## 3. DIMENSION

as per figure



TOLERANCES UNLESS NOTED OTHERWISE .X ± .XX ± .XXX ± 90° FORMED +2° ANGLES -1°	DRAWN	<i>[Signature]</i>	KEPO MODEL NO.	CUSTOMER:QUARTZ			
	DESIGN		FT-27T-2.8ASL1	CUSTOMER NO.			
	CHECKED		DWG NO.				
	APPROVED	<i>[Signature]</i>	OEM2715	VER	1.1	SCALE	
	DATE	08.12.26		UNIT	mm	SHEET	
	CONTRACT NO.						
FIRST ANGLE PROJECTION	AGENCY APPROVAL		<b>KEPO CO.,LTD.</b>		TEL:(+86)574-88370330		FAX:(+86)574-88370329
1	2	3	4				