

1

2

3

4

SPECIFICATION

受 控

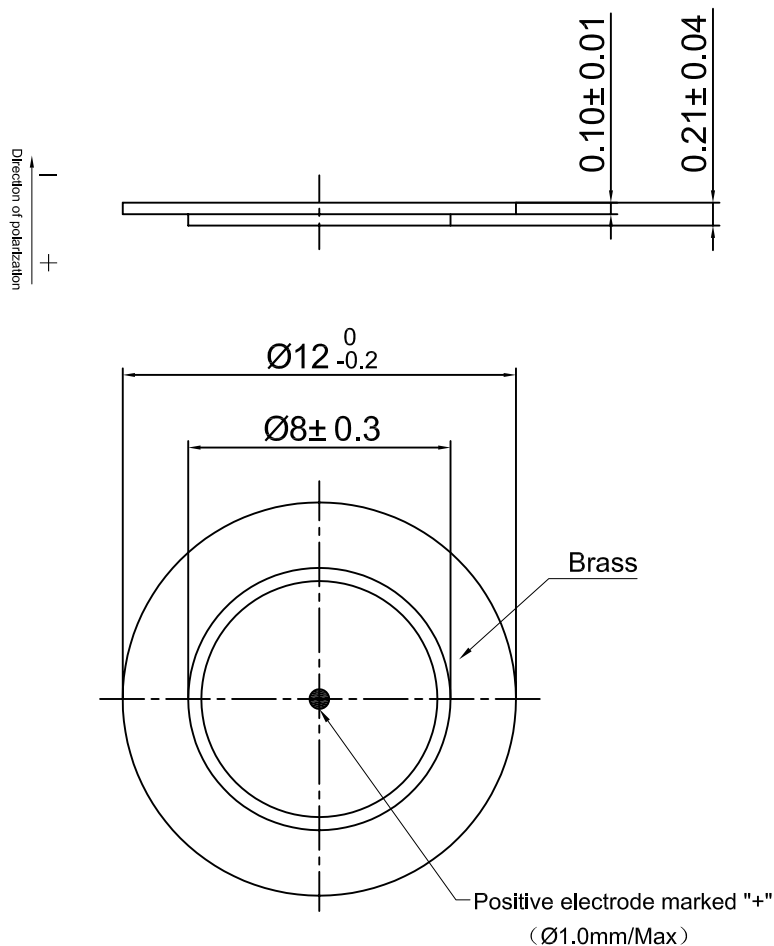
1. SCOPE

This specification is applied to the piezo-element.

2. SPECIFICATION

(at $20 \pm 5^\circ\text{C}$)

- | | | |
|--|---|------------------------|
| 2.1 Resonant Frequency | : | 8.5 ± 1.0 KHz |
| 2.2 Resonant Resistace | : | 800 Ω max |
| 2.3 Capacitance | : | 5000 pF ± 30% at 100Hz |
| 2.4 Input Voltage | : | 30 Vp-p max |
| 2.5 Operating Temperature | : | -20 ~ +60 °C |
| 2.6 Storage Temperature | : | -20 ~ +70 °C |
| 2.7 Insulation Resistance (at 25VD.C.) | : | 50M Ω min. |
3. DIMENSION : as per figure

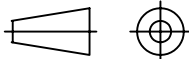


TOLERANCES UNLESS NOTED OTHERWISE

.X ±
.XX ±
.XXX ±

90° FORMED +2°
ANGLES -1°

FIRST ANGLE PROJECTION



DRAWN

汪逸

KEPO MODEL NO.

CUSTOMER

DESIGN

FT-12T-8.5A1

CUSTOMER NO.

CHECKED

徐锦生

DWG NO.

DATE

13.01.26

KP3.840.777

VER

1.3

SCALE

CONTRACT NO.

UNIT

mm

SHEET

AGENCY APPROVAL

KEPO CO., LTD.

TEL:(+86)574-88370330

FAX:(+86)574-88370329

1

2

3

4