

Ceramic Glass Sealed

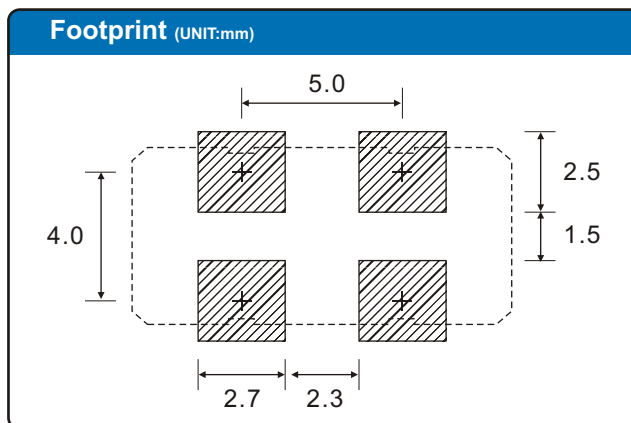
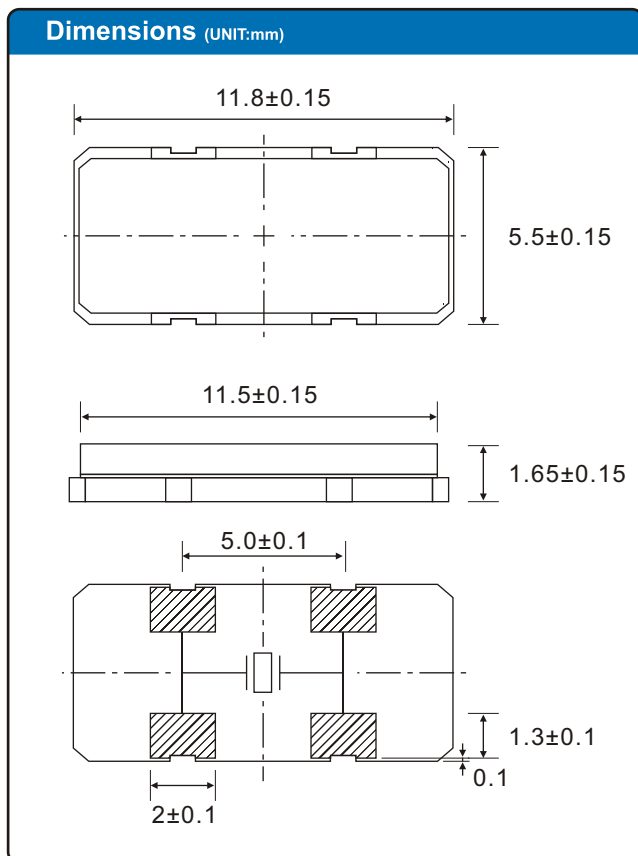
## FB Series

- AT-cut crystal
- Exenoted bt RoHS directive
- 11.8 x 5.5 mm ceramic package
- Available on tape and reel, 2000 pcs/reel
- Reflow temperature 260°C for 10 seconds max.



Specifications	
Frequency Range	3.5 ~ 30.0 MHz
Frequency Tolerance	±30 ppm, ±50 ppm, or specify (at 25°C)
Frequency Stability	±30 ppm, ±50 ppm, or specify
Load Capacitance (CL)	16 pF, 18 pF, 20 pF, or specify
Operating Temperature	-40°C ~ +85°C, or specify
Storage Temperature	-55°C ~ +125°C
Shunt Capacitance (Co)	7.0 pF max.
Drive Level	10 μW, or specify
Aging	±3 ppm/year @25°C 1st year

Frequency Range	ESR (Ω)	Mode
3.500 ~ 6.000 MHz	250 max.	Fundamental
6.000 ~ 10.000 MHz	100 max.	Fundamental
10.000 ~ 30.000 MHz	80 max.	Fundamental



**Part Number Description**

**FB 0350001**  
**A B C**

A:Product series  
 B:Digit of frequency  
 C:Internal specification