

Type: ASK/OOK Super-Heterodyne Receiver Module
Model: CY58-XXX

1. DESCRIPTION:

The CY58 is a ASK/OOK superhet receiver based on Xtal, which is designed with high sensitivity, long distance, easy use for designing, it can be able to fulfill most demands of European market specially.



2. FEATURES:

- Frequency: 315M/433.92M/868.35 MHz (custom frequency is available)
- High sensitivity upto -110 dBm
- Supply voltage: VCC= 3.6 to 5.5 V;
- IF band: 230KHz;
- Low power consumption: 4.8mA@315M, 6mA@433.92M,9mA@868.35M;
- Wide operating temperature; -40~85°C
- Excellent selectivity and noise rejection;
- Easy for to use for all wireless applications;
- Analog RSSI Output(only for V2.0) ;
- SIL(single in line) small package;

3. APPLICATION:

- Garage door and gate openers
- Remote controls
- Remote fan and light control
- Smart home system
- Alarm and security system

4. PIN DEFINITION:

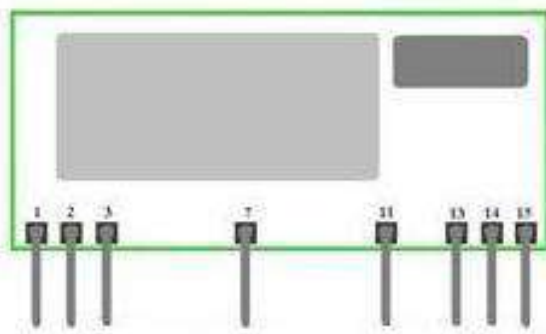


Figure1 CY58 Shape & Pins

Pin 1	N.C.	Not connected.
Pin 2-7	Ground	GND
Pin 3	Antenna	Antenna input, impedance 50 ohm.
Pin 11	N.C.	Not connected.
Pin 13	RSSI Out – Test point	RSSI output proportional to the amplitude of the input signal.
Pin 14	Data output	Data output from the receiver.
Pin 15	+Vs	Positive Voltage supply.

Note1: ANT pin is a 50 ohm antenna input. The length is about:

23cm for 315MHz /17cm for 433.92MHz
8.6cm for 868.35Mhz

5. ELECTRICAL CHARACTERISTICS:



Condition: Ta=25°C Vcc=5.0V Frequency=315MHz

Parameter	Specification			Unit	Condition
	Min	Typ	Max		
Frequency Range		315		MHz	Others available
Receiver Sensitivity		-110		dBm	BER=10E-2
Bit Rate	0.58	2.4	12	Kbits	Manchester code
Supply Voltage	3.6		5.5	V	DC
Current		4.8		mA	
Operating Temperature	-40		+85	°C	

Condition: Ta=25°C Vcc=5.0V Frequency=433.92MHz

Parameter	Specification			Unit	Condition
	Min	Typ	Max		
Frequency Range		433.92		MHz	Others available
Receiver Sensitivity		-110		dBm	BER=10E-2
Bit Rate	0.58	2.4	12	Kbits	Manchester code
Supply Voltage, VDD	3.6		5.5	V	DC
Current		6.0		mA	
Operating Temperature	-40		+85	°C	

Condition: Ta=25°C Vcc=5.0V Frequency=868.35MHz

Parameter	Specification			Unit	Condition
	Min	Typ	Max		
Frequency Range	850	868.35	950	MHz	Others available
Receiver Sensitivity		-108	-109	dBm	BER=10E-2
Data Rate	0.58		9.6	Kbits	Manchester code
Supply Voltage, VDD	3.6	5.0	5.5	V	DC
Current		9.0		mA	
Operating Temperature	-40		+85	°C	

6. MECHANICAL SIZE: (UNIT: mm)

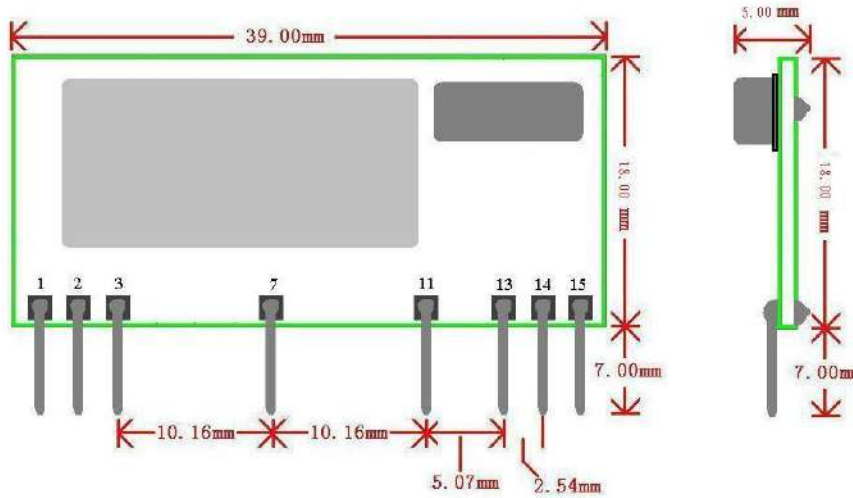
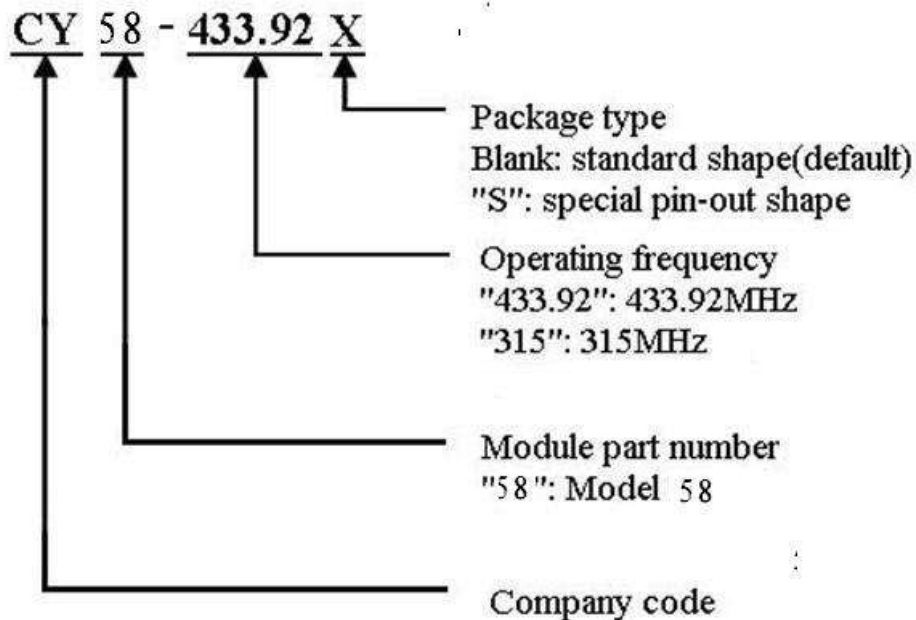


Figure2 CY58 Dimension

7. ORDER INFORMATION:





For more information and assistance, please contact us as follows:

CY WIRELESS TECHNOLOGY LIMITED

Add: 1407, Block C, Tairan Building, 8th Tairan Road, Futian District,
Shenzhen, Guangdong Province, China

Website: www.rficy.com

Email: info@rficy.com

