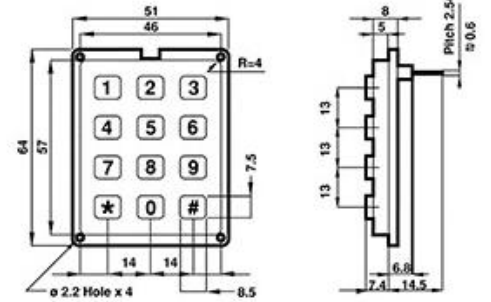




AK-304FM-A-WWB

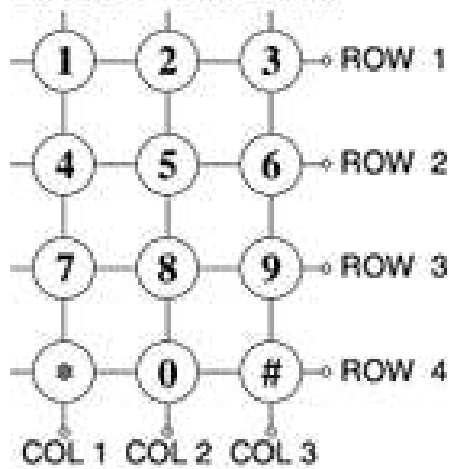


AK-304FM-N-BBW



ACTUATING FORCE: 100 ± 30 GRAMS.
STROKE: 1.4 ± 0.3mm.

CIRCUIT DIAGRAM



AK-304-FM

OUTPUT ARRANGEMENT	
OUTPUT PIN NO.	SYMBOL
1	ROW 1
2	ROW 2
3	ROW 3
4	ROW 4
5	COL 1
6	COL 2
7	COL 3