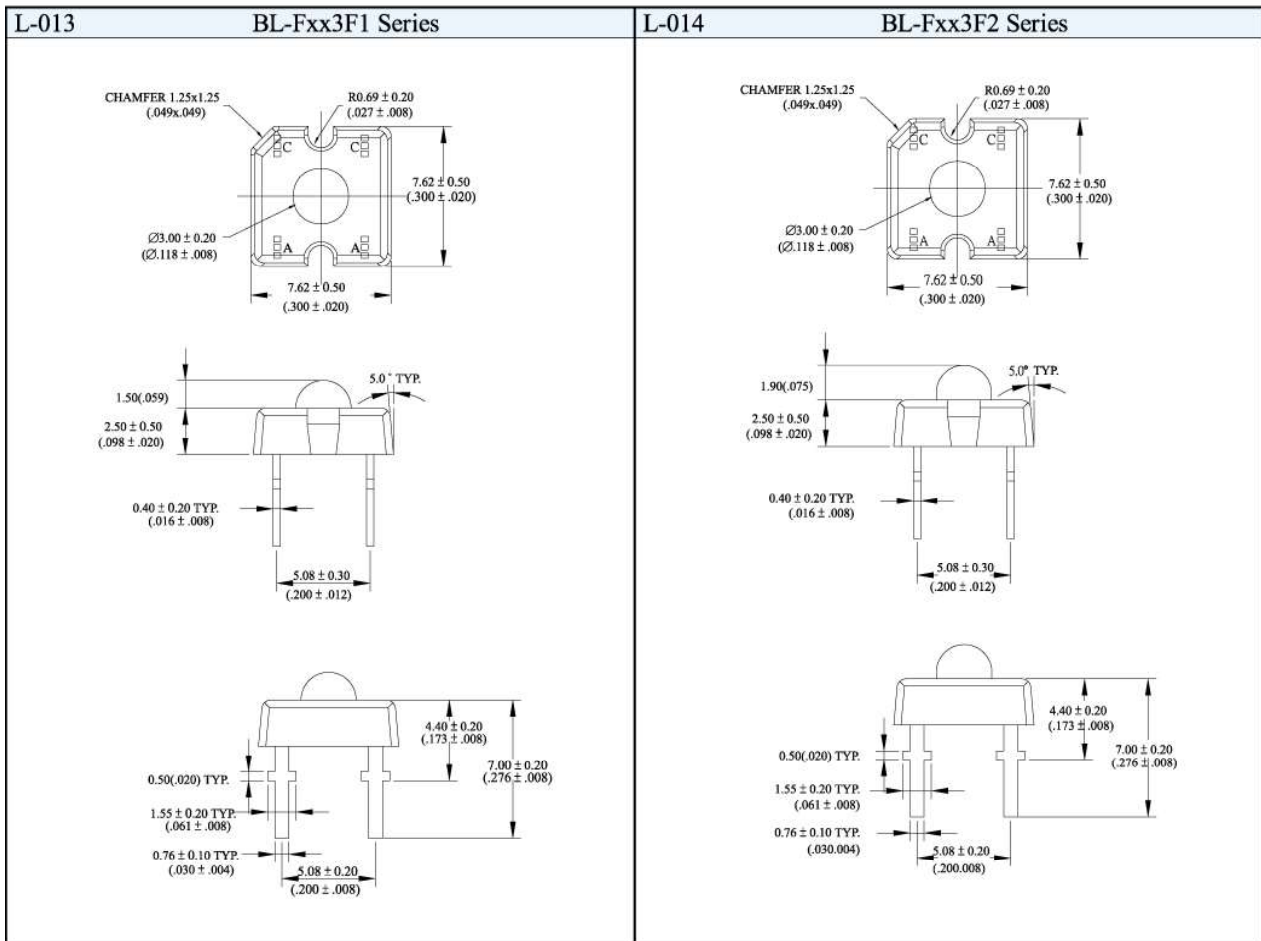




Package	Part No.	Chip		Lens Appearance	Absolute Maximum Ratings				Electro-optical Data (At 20mA)			Viewing Angle 2θ 1/2 (deg)	Drawing No.
		Material/ Emitted Color	Peak Wave Length λ p(nm)		Δ λ (nm)	Pd (mw)	If (mA)	Peak (mA)	Vf (V)		Iv (mcd)		
									Typ	Max			
7.62x7.62 x4.0mm 3 φ	BL-FF43F1	GaAlAs/GaAlAs/Super Red	660	Water Clear	20	65	30	150	1.9	2.6	400	85	L-013
	BL-FU13F1	AlGaInP/Super Red	645		20	65	30	150	2.0	2.6	300		
	BL-FG33F1	AlGaInP/Super Green	574		22	85	30	150	2.4	2.8	200		
	BL-FK33F1	AlGaInP/Ultra Yellow	592		15	65	30	150	2.0	2.6	300		
	BL-FK43F1	AlGaInP/Ultra Yellow	595		15	75	30	150	2.4	2.8	500		
	BL-FJ13F1	AlGaInP/Ultra Orange	620		17	65	30	150	2.0	2.6	300		
	BL-FJ23F1	AlGaInP/Ultra Orange	620		17	66	30	150	2.2	2.6	450		
7.62x7.62 x4.4mm 3 φ	BL-FF43F2	GaAlAs/GaAlAs/Super Red	660	Water Clear	20	65	30	150	1.9	2.6	450	65	L-014
	BL-FU13F2	AlGaInP/Super Red	645		20	65	30	150	2.0	2.6	350		
	BL-FG33F2	AlGaInP/Super Green	574		22	85	30	150	2.4	2.8	250		
	BL-FK33F2	AlGaInP/Ultra Yellow	592		15	65	30	150	2.0	2.6	350		
	BL-FK43F2	AlGaInP/Ultra Yellow	595		15	75	30	150	2.4	2.8	550		
	BL-FJ13F2	AlGaInP/Ultra Orange	620		17	65	30	150	2.0	2.6	350		
	BL-FJ23F2	AlGaInP/Ultra Orange	620		17	66	30	150	2.2	2.6	500		

Remark : 1.Hi-Eff Red / High-Efficiency Red.
 2.Trans / Transparent.
 3.2θ 1/2 The off-axis angle at which the luminous intensity is half the axial luminous intensity.



Notes : 1.All Dimensions are millimeters (inches).
 2.Tolerance is ± 0.25mm (.010").