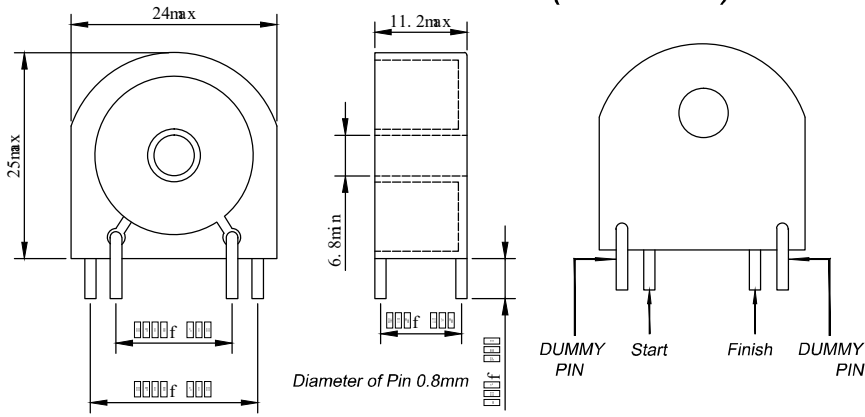
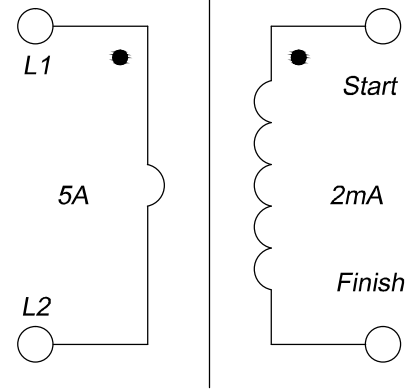


CUSTOMER TERMINAL	ROHS	Lead (Pb) -free
	YES	YES

1. Mechanical Dimensions (Unit:mm)



2. Schematic Diagram



3. Electrical parameters

Pri current A		Sec current mA	Precision grade	Load Resistance Ω	DC Resistance Ω	Temperature $^{\circ}\text{C}$	Humidity 25 $^{\circ}\text{C}$
Basic current	Current max						
5	82	2	0.2	10	124 ~ 136	-40 ~ 75	80 ~ 90%

4. Test Condition

Test Frequency: 50HZ
 Temperature: 25 $^{\circ}\text{C}$
 Humidity: 80~90%
Electrical Requirement:
 Insulation intensity of power frequency: 4KV1min
 Insulation Resistance: $\geq 600\text{m}\Omega$

REV.	DATE	 Convention Placement	DRW.	Wang Xiao Lin	Drawing Title: CURRENT TRANSFORMER Customer P/N:	Part No:
0	01/15		CHK.	He Ping		FWCST010C/5
		www.ferriwo.com	APP.	Wang Yuan Zhi	Specification Sheet 1 of 1	

THIS DOCUMENT IS STRICTLY NOT ALLOWED TO BE DUPLICATED WITHOUT AUTHORIZATION