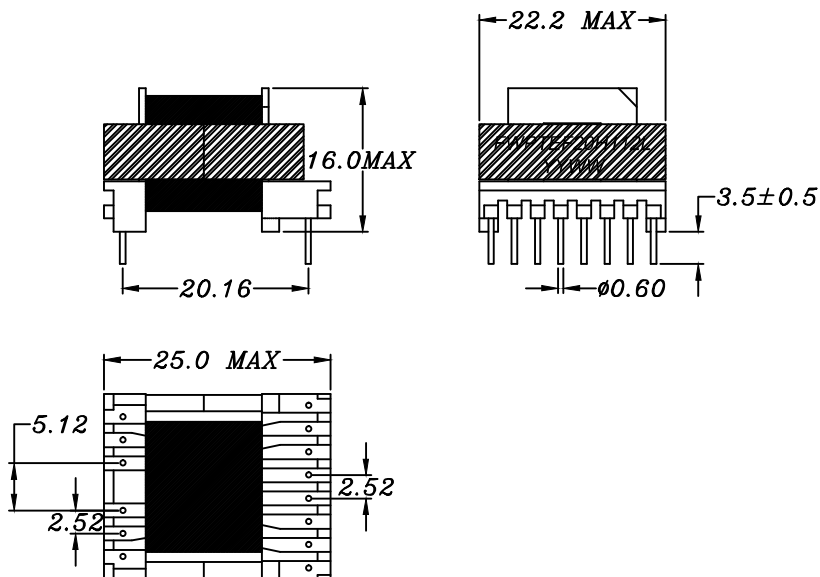


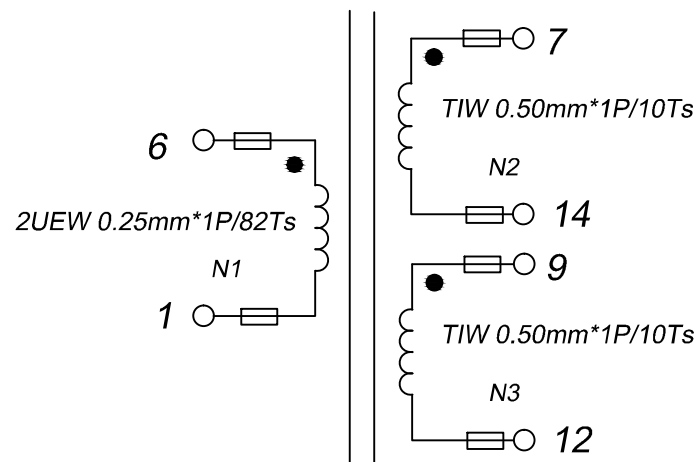
CUSTOMER TERMINAL	ROHS	Lead (Pb) -free
	YES	YES



1. Mechanical Dimensions



2. Schematic Diagram



3. Material List

Core:FW44-EE20/10/6
 Bobbin:FWB2027 (6+8PIN)
 Wire:2UEW-B-0.25mm 130°C TIW-B-0.50mm 130°C
 Tube:TFL TUBE
 Operating Temperature: -30 to 115°C

4. Electrical Specification

Inductance: $L(6-1) = 1.15\text{mH} \pm 15\%$ 1KHZ 1V
 LK: $L(6-1) = 45\text{uH}$ MAX 100KHZ 1V short other pins
 DCR: $(6-1) = 1.3\Omega$ MAX
 HI-POT: P-S AC 4000V 5mA 60seconds
 P、S-CORE AC 1500V 5mA 60seconds

REV.	DATE	 Convention Placement	DRW.		Drawing Title:	Part No:
0	00/00		CHK.		TRANSFORMER	FWPTEF20H112L
 www.ferriwo.com		APP.	Customer P/N:		Specification Sheet 1 of 1	