



Triacs sensitive gate

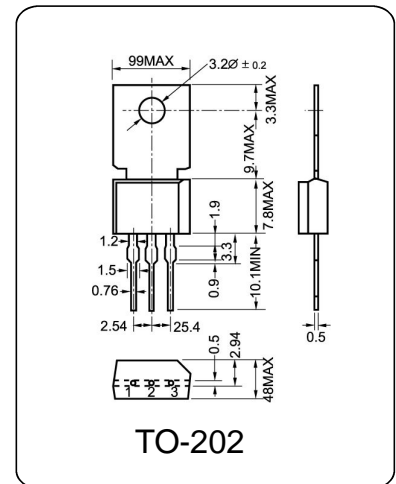
2P4M 2P5M 2P6M

GENERAL DESCRIPTION

Passivated thyristors in a plastic envelope, intended for use in applications requiring high bidirectional blocking voltage capability and high thermal cycling performance. Typical applications include motor control, industrial domestic lighting, heating and staticand switching.

ABSOLUTE MAXIMUM RATINGS (Ta = 25 °C)

Parameter	Symbol	Typ			Unit
		2P4M	2P5M	2P6M	
Repetitive peak off-state voltages	V_{DRM} V_{RRM}	500	600	700	V
RMS on-state current	$I_{T(RMS)}$	2.0			A
Non-repetitive peak on-state current	I_{TSM}	20			A
Max. Operating Junction Temperature	T_j	110			°C
Storage Temperature	T_{stg}	-45~150			°C



ELECTRICAL CHARACTERISTICS (Ta = 25 °C)

Parameter	Symbol	Test Conditions	Min	Typ	Max	Unit
Repetitive peak off-state voltages	V_{DRM} V_{RRM}			500 ~700		V
RMS on-state current	$I_{T(RMS)}$	full sine wave; T_{mb} 107 °C		2.0		A
On-state voltage	V_T	$I_T=4A$			2.2	V
Holding current	I_H	$V_D = 12 V$; $I_{GT} = 0.1 A$		1	3	mA
Gate trigger current	I_{GT}	$V_D = 12 V$; $I_T = 0.1 A$			0.2	mA
Gate trigger voltage	V_{GT}	$V_D = 12 V$; $I_T = 0.1 A$			0.8	V