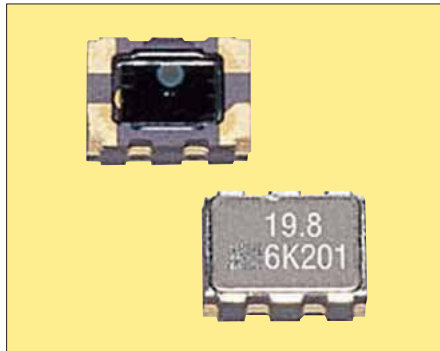


3.2×2.5mm



Pb Free

RoHS Conforming

## Features

- VC-TCXO for cellular phone.
- Leadless type for auto pick-and-place.
- Ultra-miniature size. (3.2x2.5x1.05mm)
- Reflow soldering compatible.
- Low power consumption.
- Lead free

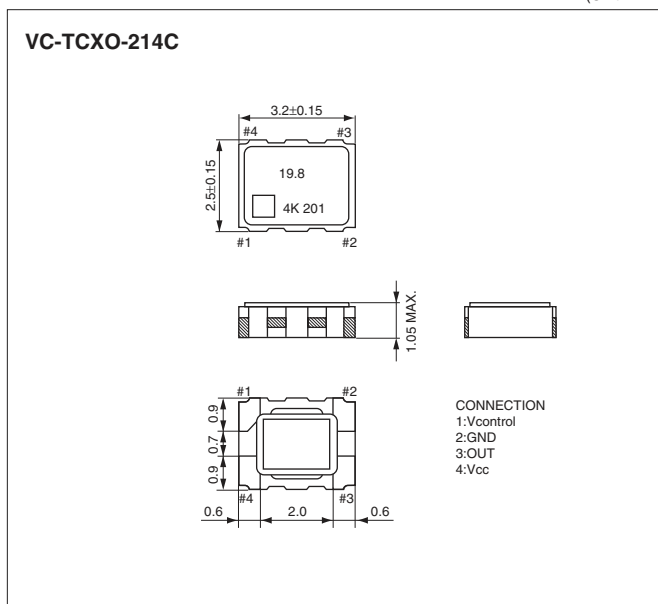
## Specifications

Item	Symbol	Conditions	Min.	Max.	Units
Output Frequency Range	F <sub>OUT</sub>		12.6	38.4	MHz
Frequency Stability	Δf/fo	vs Temperature	-2.0	+2.0	ppm
		vs Load	-0.2	+0.2	
		vs Voltage	-0.3	+0.3	
Storage Temp. Range	T <sub>STG</sub>		-40	+85	°C
Operating Temp. Range	T <sub>OPR</sub>		-30	+85	°C
Aging	Δf aging	Per Year	-1	1	ppm
Voltage control range	Δf/V	Positive	+/-8	+/-12	ppm
Supply Voltage	V <sub>DD</sub>		2.4	5.5	Volt
Output Voltage	V <sub>out</sub>	10k ohm // 10pF	0.8	—	Vp-p
Current Consumption	I <sub>DD</sub>	12.6 ~26MHz	—	1.0	mA
		26 ~38.4MHz	—	1.5	
Duty Ratio	SYM	@50% V <sub>DD</sub>	40	60	%
Harmonics	—		—	-5	dBc

Note: All electrical characteristics are defined at the maximum load and operating temperature range.

## Dimensions

(Unit : mm)



## Recommended Land Pattern

(Unit : mm)

