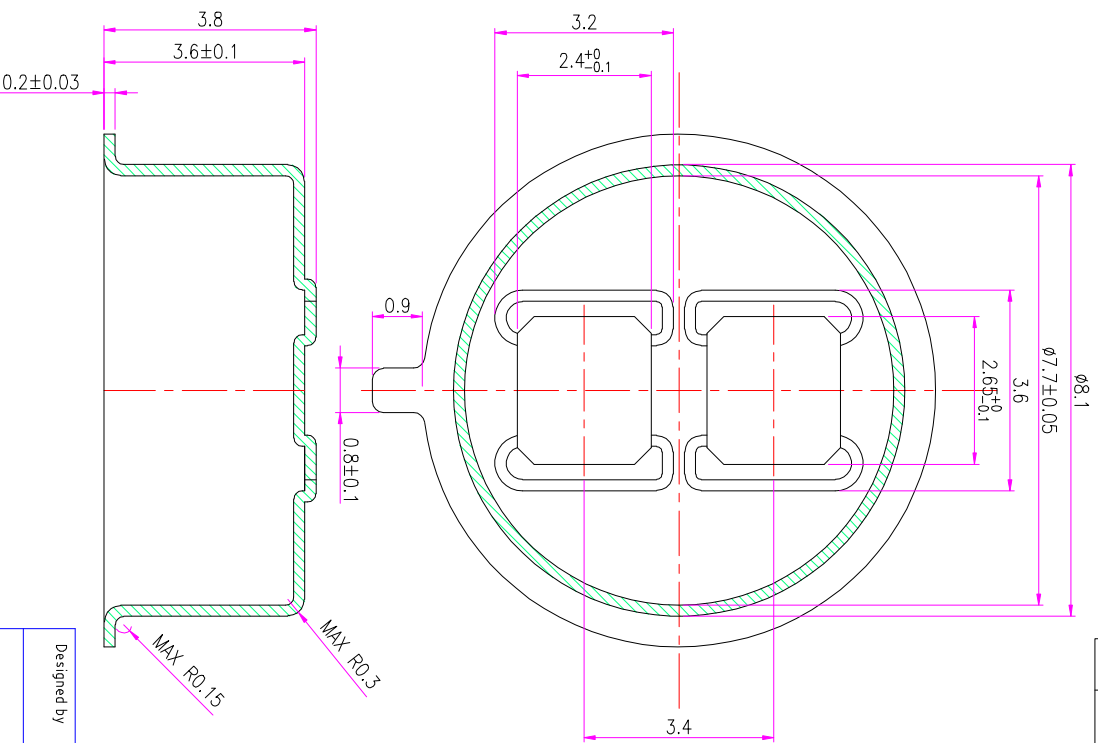


ITEM	DESCRIPTION	MATERIAL	Q'TY	SIZE	PART DRAWN NO	WT(Kg)
03	PYS3228 CAP	SPOC	-	-		



NOTE

- *Material : SPCC
- *Thickness : 0.2t
- *Finish : Ni Plating 6~8µm



Designed by	Checked by	Approved	Reference	Date	Scale	Sheet
				2016.08		
Project Title			Cap			
Drawing No.			GFC-T03228C			

Mark	Revision	Date	Drawn	Check	Appr	Note
①						
②						
③						