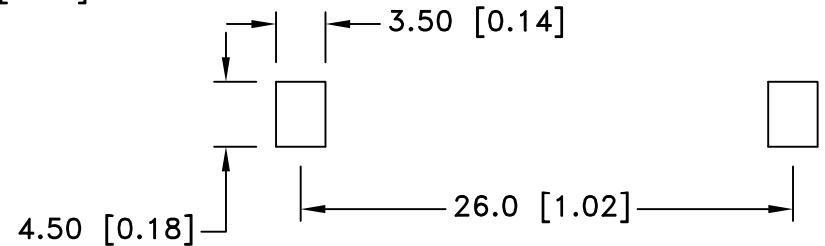
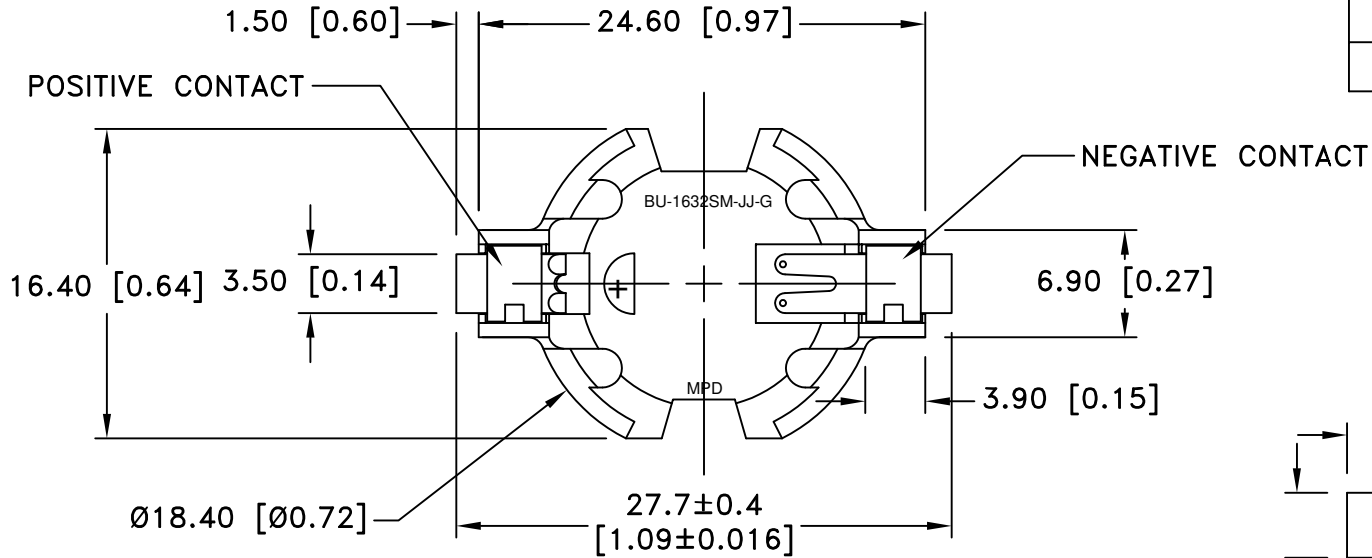
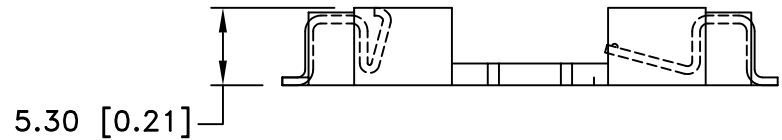


Date	SYM	REVISION RECORD	AUTH	DR.	CK.




PCB LAYOUT



**SPECIFICATIONS:**

- \* Holder material- 30% glass reinforced Liquid Crystal Polymer resin, UL File No. E123598, UL94V-0
- \* Color: White
- \* Contacts : 0.020" thick PHOS-BRONZE, GOLD FLASH
- \* Temperature range: -40°C to +280°C
- \* Vibration Test: 10-50-10 Hz swept in 60 seconds  
X,Y,Z direction: 1 hour each direction
- \* Result: No dislodgement of the cell or damage  
No discontinuity over 10 micro-seconds
- \* Shock Test: Half sine wave acceleration 150G. 6 micro-seconds  
3 shock pulses each direction per axis, total of 18 pulses
- \* Result: No evidence of physical damage
- \* ROHS COMPLIANT

Tolerance (Except as noted)	 <b>Memory Protection Devices, Inc</b> 200 Broad Hollow Road, Farmingdale, New York 11735	Scale	Drawn By B.S.
			Approved By T.B.
decimal ±.5 (.020)	Title SURFACE MOUNT BATTERY HOLDER FOR CR1632	Date 2/20/09	
Fractional ± .8 (.030)		Drawing Number BU1632SM-JJ-GTR	
Angular ± 3°	Date 2/20/09		
Drawing Number BU1632SM-JJ-GTR			