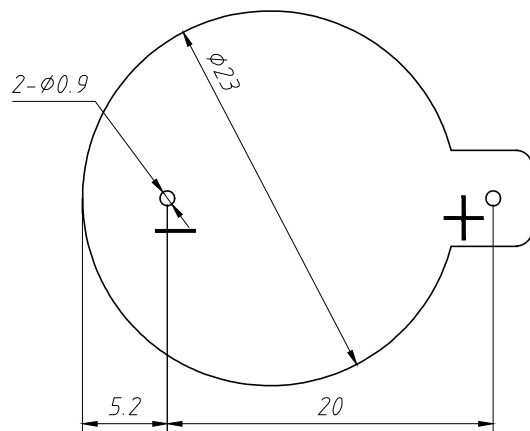
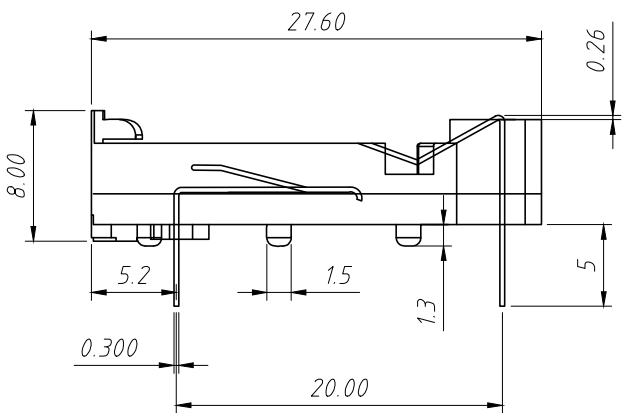
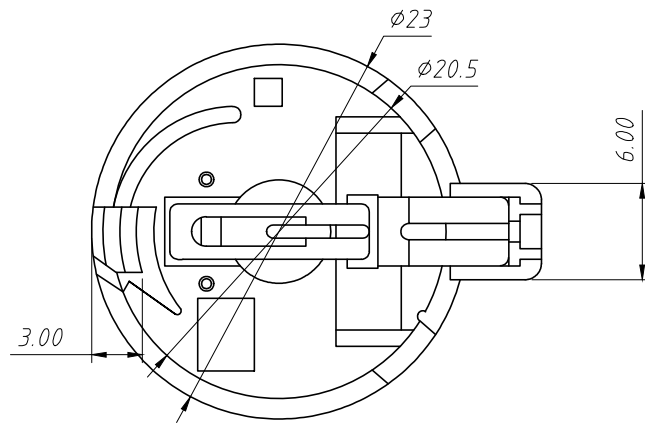


RoHS Compliance



PCB Layout Diagram  
Top View

Material:  
Housing:PBT Black  
Contact:Brass  
Terminal(+):Brass T=0.3mm Sn-Plating  
Terminal(-):Brass T=0.3mm Sn-Plating

Electric:  
Contact Resistance: 30 Milliohms Max  
Insulation Resistance: 1000 Mega Ohms Min  
Dielectric Voltage: 500V Ac One Sec Level  
Operating Temperature: -25°C ~ + 85°C

ANGLE TOLERANCE	PROJECTION	Description:		
±3°		CR2032 DIP COIN CELL RETAINERS		
GENERAL TOLERANCE	UNITS	mm	KLS P/N:	L-KLS5-CR2032-10
x.x ±0.30	SHEET SIZE	A4		
x.xx ±0.20	Draw:	Daniel	2023-02-27	NingBo KLS ELECTRONIC CO.,LTD.
x.xxx ±0.10	Check:	Daniel	2023-02-27	