

Coin Cell Holders

KLS5-CR2450-04 CR2450 Coin Battery Holder

Material:

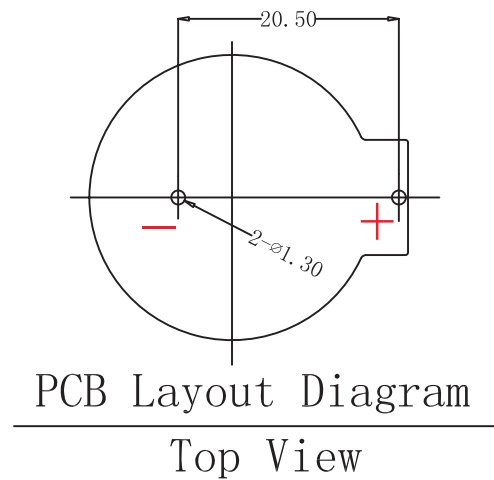
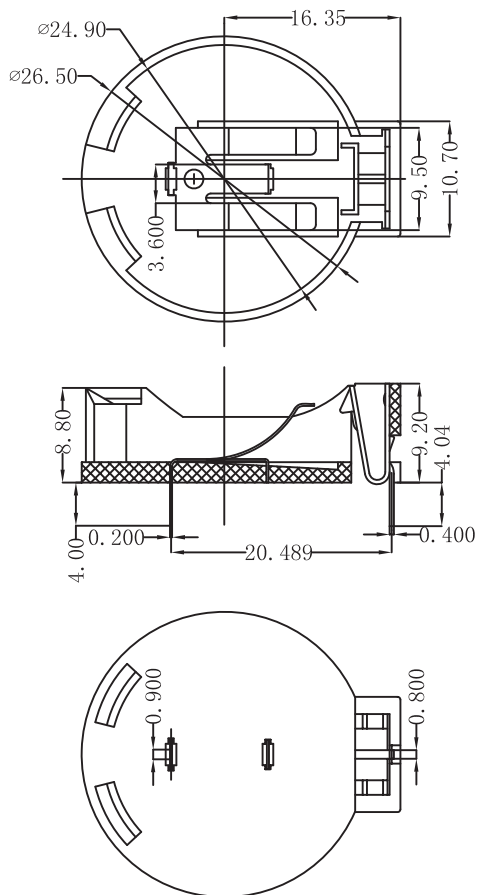
Housing: PBT
Contacts: Phosphor Bronze, Nickel plating

Electrical Characteristics:

Insulator Resistance: 1000M Ohm min.
Contact Resistance: 30m Ohm max.
Dielectric voltage: 500V AC
Operating Temperature: -25°C~+85°C



I



ORDER INFORMATION

Product NO.: KLS5-CR2450-04

