

## 25x25x07mm

### ● General Specifications

#### ➤ Material:

1. Frame: Plastic (UL94V-0);
2. Impeller: Plastic (UL94V-0);
3. Lead Wire: UL1571AWG#28 or Equivalent (+) Red, (-) Black.

#### ➤ Expected Life:

1. 50000 hrs (40°C) Ball Bearing;
2. 30000 hrs (40°C) Sleeve Bearing.

#### ➤ Temperature Range:

1. Operating temperature -10°C ~ +70°C (Non condensing);
2. Storage temperature -40°C ~ +70°C (Non condensing).

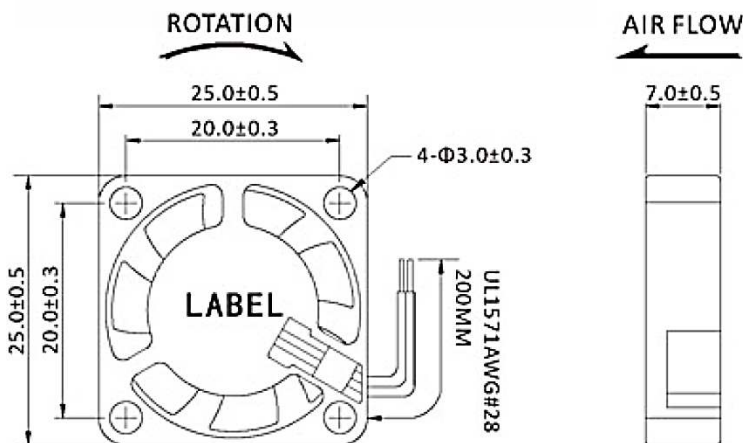


### ● Specifications

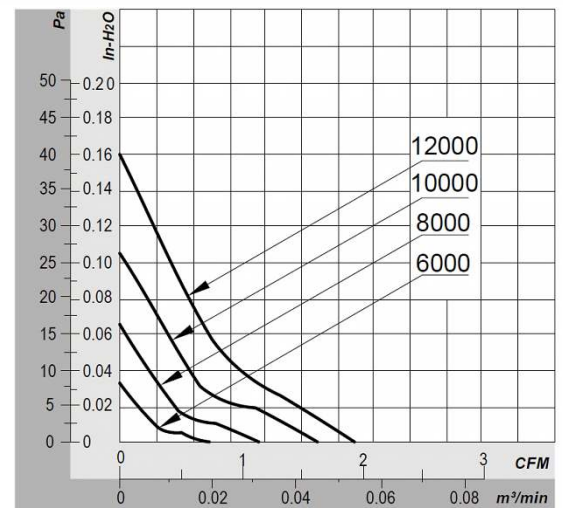
Model	Rated Voltage	Operating Voltage	Rated Current	Input Power	Speed	Max Air Flow		Max Static Pressure		Noise	Weight
Part N	VDC	VDC	A	W	RPM	CFM	m <sup>3</sup> /min	Inch-H <sub>2</sub> O	Pa	dB-A	g
FD2507B(S)05H	5	3.5~5.5	0.14	0.90	12000	1.97	0.06	0.16	39.03	30	5
FD2507B(S)05M	5	3.5~5.5	0.11	0.75	10000	1.57	0.04	0.11	26.48	24	5
FD2507B(S)05L	5	3.5~5.5	0.07	0.60	8000	1.15	0.03	0.07	16.38	21	5
FD2507B(S)05D	5	3.5~5.5	0.06	0.35	6000	0.69	0.02	0.03	7.16	20	5
FD2507B(S)12H	12	7.0~13.8	0.06	0.84	12000	1.97	0.06	0.16	39.03	30	5
FD2507B(S)12M	12	7.0~13.8	0.05	0.60	10000	1.57	0.04	0.11	26.48	24	5
FD2507B(S)12L	12	7.0~13.8	0.04	0.48	8000	1.15	0.03	0.07	16.38	21	5

Specification are subject to change without notice.

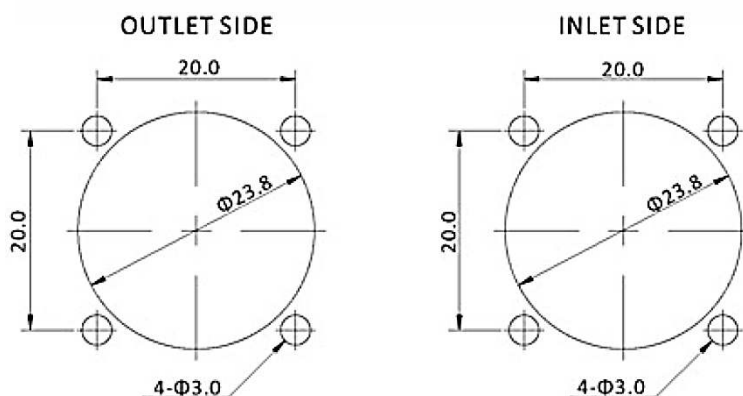
### ● Dimension (Unit: mm)



### ● PQ Curve (At Rated Voltage)



### ● Mounting Panel Cutout (Unit: mm)



### ● Safety standards

